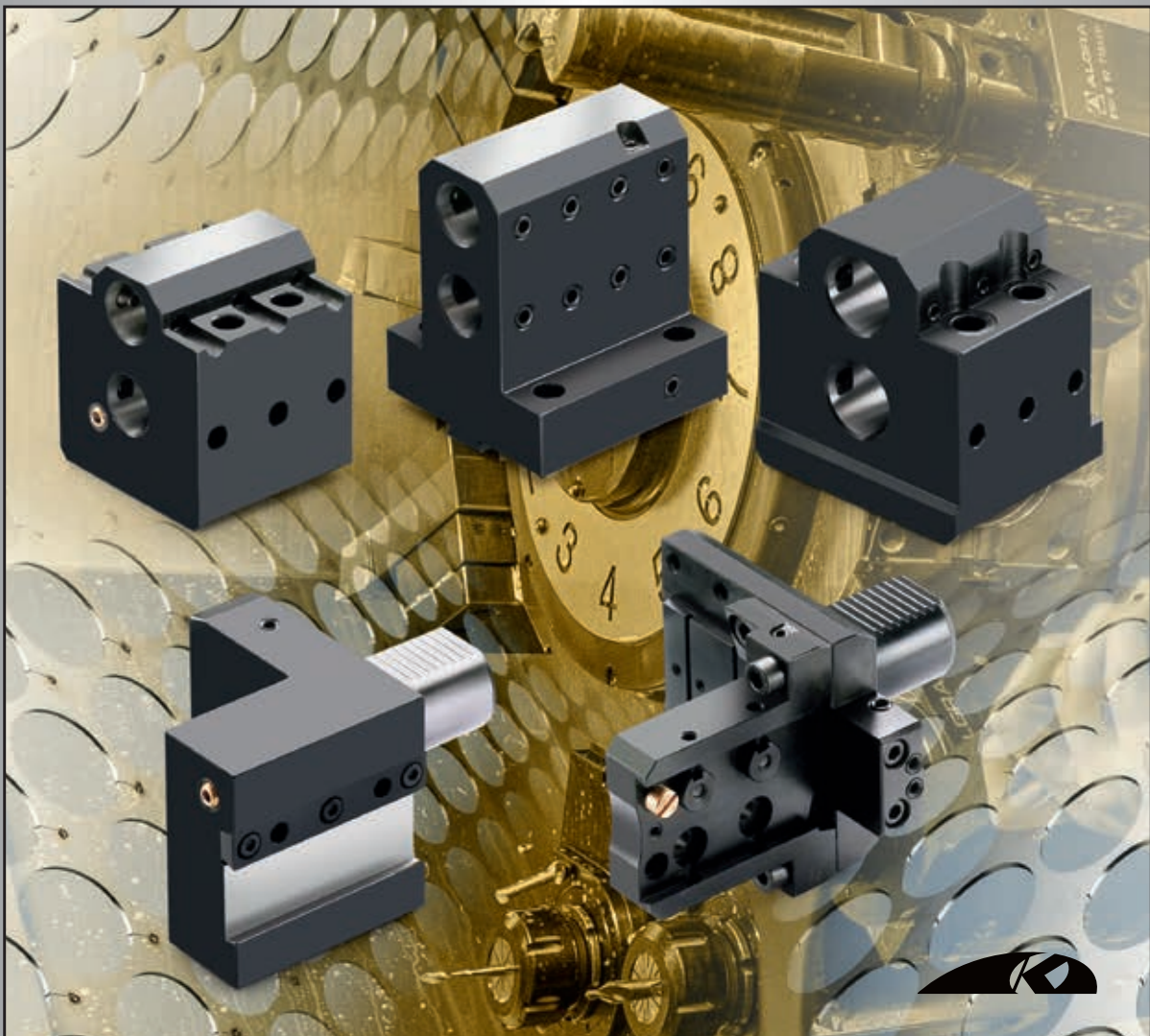




KINTEK®

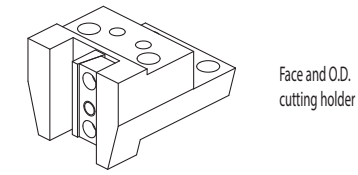
COMPONENTI INNOVATIVI TECNOMECCANICI



TOOLHOLDERS FOR CNC LATHES
DOOSAN PUMA
BMT55/ BMT65 / BMT75 / BMT85

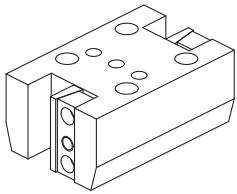
DOOSAN PUMA

230M/MS
240M/MS



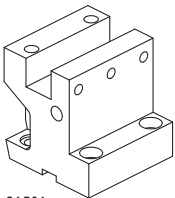
128-41501

Face and O.D.
cutting holder



128-41502

Face and O.D.
cutting holder



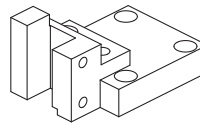
128-31501

Face and I.D.
cutting holder

Qualified tool
25x25 mm



Cut-off holder



128-41503

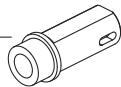
Cut-off tool
25x25 mm



ACCESSORIES

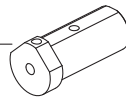
Drill socket

- 114-34012 <MT1>
- 114-34013 <MT2>
- 114-34014 <MT3>



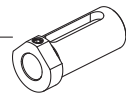
Boring bar sleeve

- 165-64089 (Ø10)
- 165-64090 (Ø12)
- 165-64091 (Ø16)



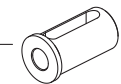
Boring bar sleeve

- 165-64092 (Ø20)
- 165-64093 (Ø25)
- 165-64094 (Ø32)



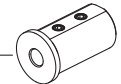
Throw-away drill socket

- 165-64095 (Ø20)
- 165-64096 (Ø25)



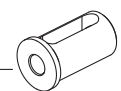
Boring bar sleeve

- 165-64247 (Ø8)
- 165-64248 (Ø10)
- 165-64249 (Ø12)



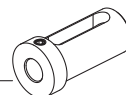
Boring bar sleeve

- 165-64251 (Ø16)
- 165-64253 (Ø20)
- 165-64254 (Ø25)
- 165-64255 (Ø32)

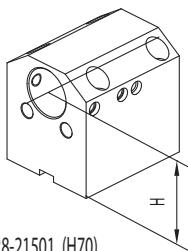
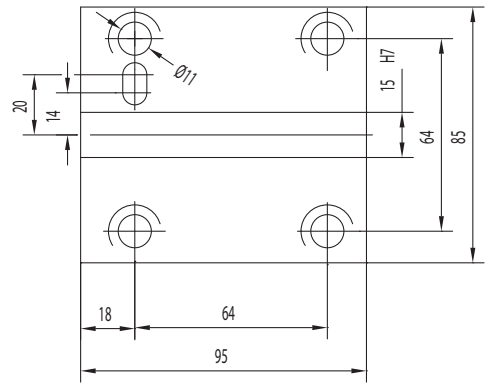


Boring bar sleeve

- 165-64241 (Ø16)
- 165-64243 (Ø20)
- 165-64244 (Ø25)
- 165-64245 (Ø32)

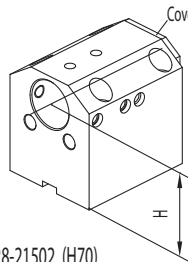


CONNECTION



128-21501 (H70)
128-21521 (H60)

Boring bar holder
Ø40 mm

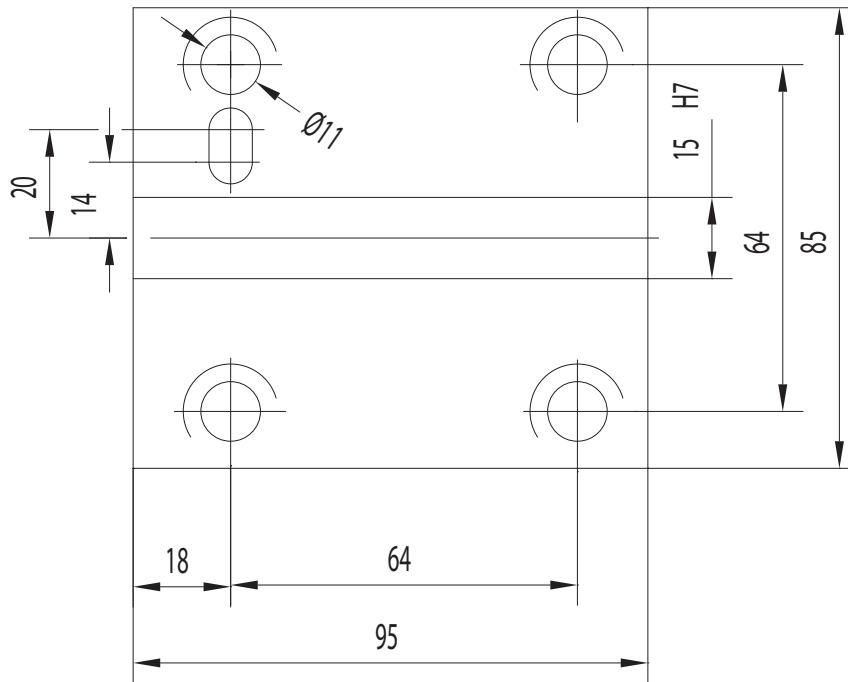


128-21502 (H70)
128-21522 (H60)

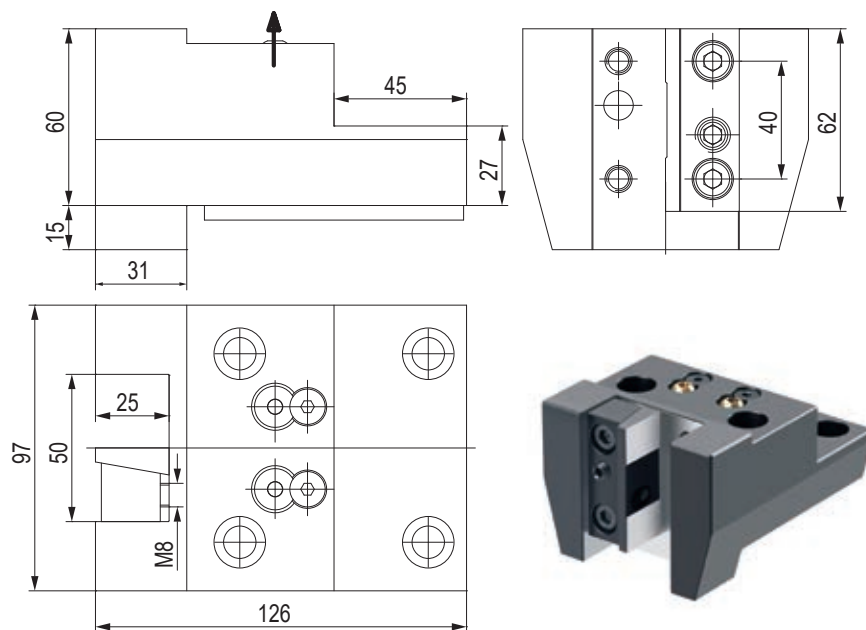
Combi toolholder
for boring bar and
insertdrill with internal
coolant
Ø40 mm

Cover:832-003216

CONNECTION

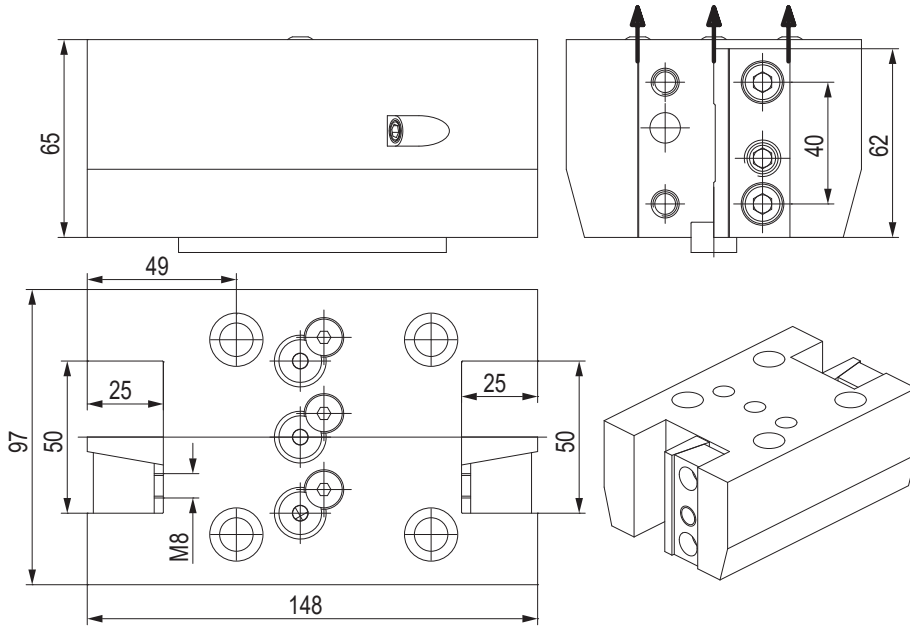


PORTAUTENSILE RADIALE - RADIAL TOOLHOLDERS



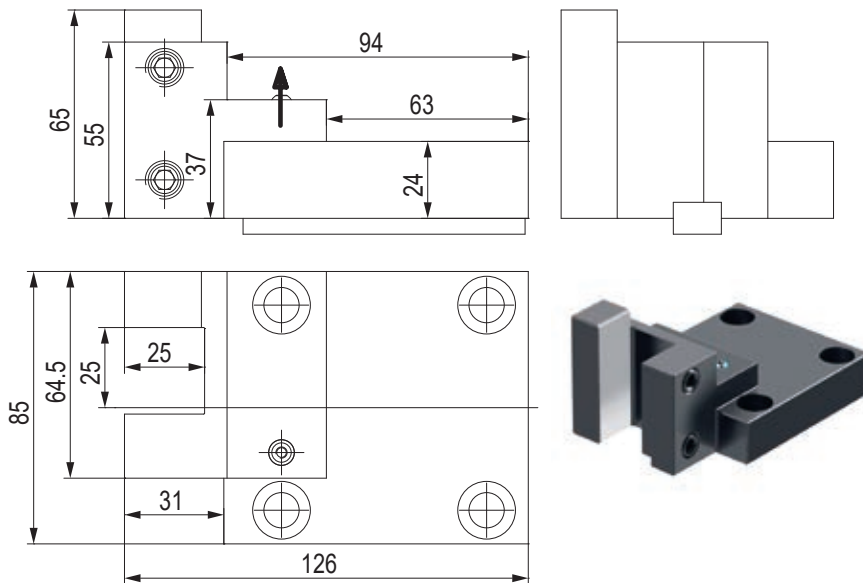
CODE N.	CLAMPING PLATE	KEY	SCREW FOR KEY	COOLANT BALL	SCREW FOR BALL
128-41501	832-018450	814-203230	811-101017	833-001470	811-108018

PORTAUTENSILE RADIALE - RADIAL TOOLHOLDERS



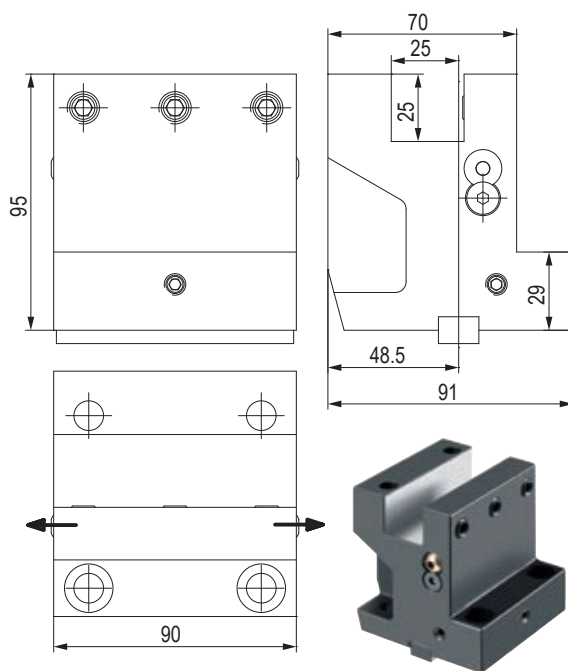
CODE N.	CLAMPING PLATE	KEY	SCREW FOR KEY	COOLANT BALL	SCREW FOR BALL
128-41502	832-018450	814-203230	811-101017	833-001470	811-108018

PORTALAMA - CUT-OFF TOOLHOLDERS



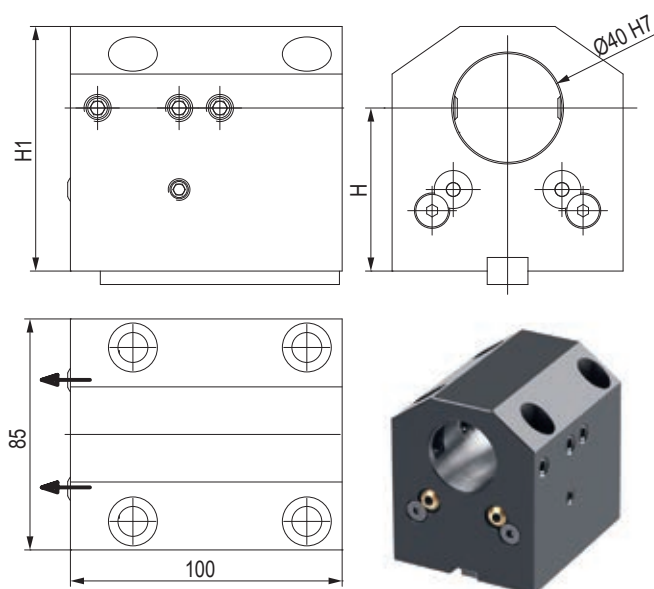
CODE N.	CLAMPING SCREW	KEY	SCREW FOR KEY	COOLANT NOZZLE
128-41503	811-102044	814-203230	811-101017	833-001060

PORTAUTENSILE ASSIALE - AXIAL TOOLHOLDERS



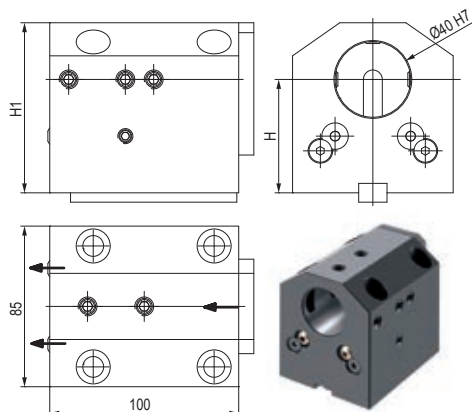
CODE N.	CLAMPING SCREW	KEY	SCREW FOR KEY	COOLANT BALL	SCREW FOR BALL
128-31501	811-102044	814-203230	811-101017	833-001470	811-108018

PORTAUTENSILE PER BARENI - TOOLHOLDER FOR BORING BAR



CODE N.	H	H1	CLAMPING SCREW	KEY	SCREW FOR KEY	COOLANT BALL	SCREW FOR BALL
128-21501	70	100	811-102038	814-203230	811-101017	833-001470	811-108018
128-21521	60	90	811-102038	814-203230	811-101017	833-001470	811-108018

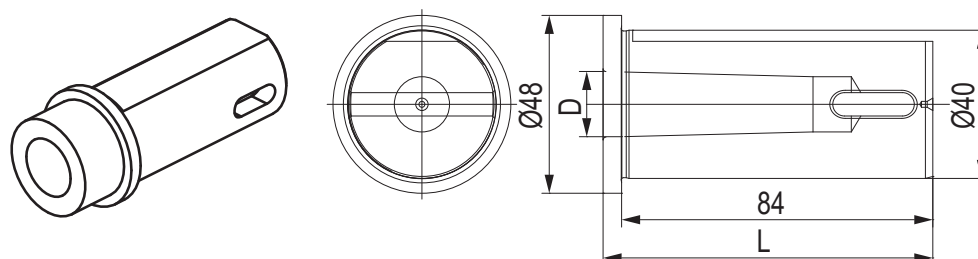
PORTAUTENSILE COMBINATO PER BARENI E PUNTE A INSERTI COMBI TOOLHOLDER FOR BORING BAR AND INSERTDRILL



CODE N.	H	H1	CLAMPING SCREW1 (M10x20)	CLAMPING SCREW2 (M10x10)	KEY	SCREW FOR KEY
128-21502	70	100	811-102038	811-102035	814-203230	811-101017
128-21522	60	90	811-102038	811-102035	814-203230	811-101017

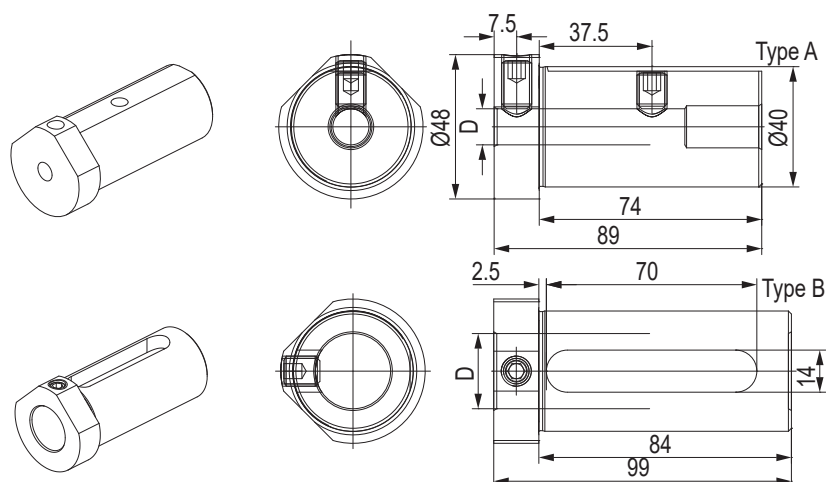
CODE N.	COOLANT BALL	SCREW FOR BALL	COVER	SCREW FOR COVER
128-21502	833-001470	811-108018	832-003216	811-101017
128-21522	833-001470	811-108018	832-003216	811-101017

BUSSOLA PER PORTABARENI DRILL SOCKET FOR TOOLHOLDER



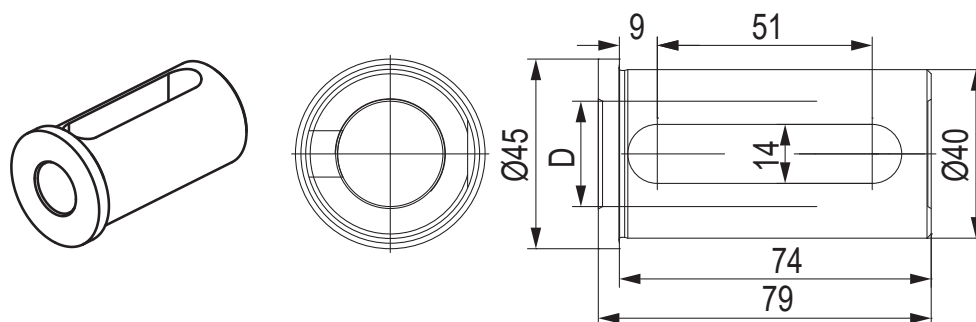
CODE N.	MORSE	D	L
114-34012	1	12,065	89
114-34013	2	17,780	89
114-34014	3	23,825	110

BUSSOLA PER PORTABARENI BORING BAR SLEEVE FOR TOOLHOLDER



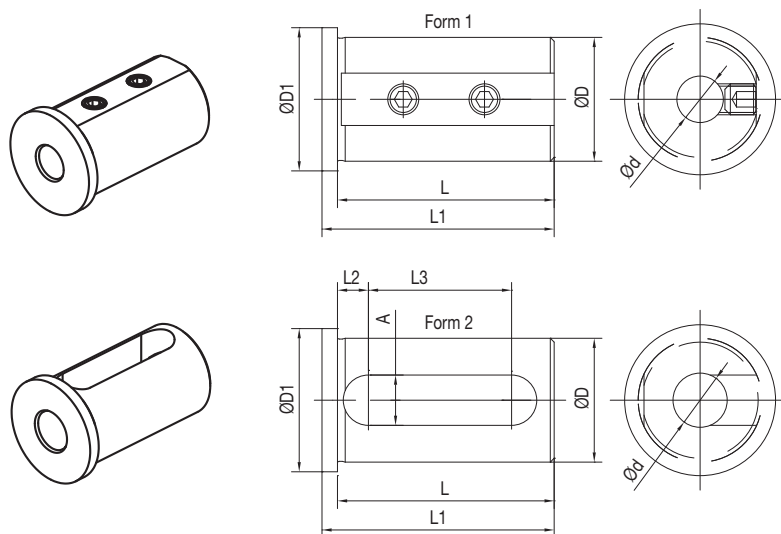
CODE N.	D	TYPE	SCREW1	SCREW2
165-64089	10	A	811-102037	811-102036
165-64090	12	A	811-102037	811-102036
165-64091	16	A	811-102037	811-102035
165-64092	20	B	811-102036	-
165-64093	25	B	811-102036	-
165-64094	32	B	811-102035	-

BUSSOLA PER PORTABARENI THROW-AWAY DRILL SOCKET FOR TOOLHOLDER



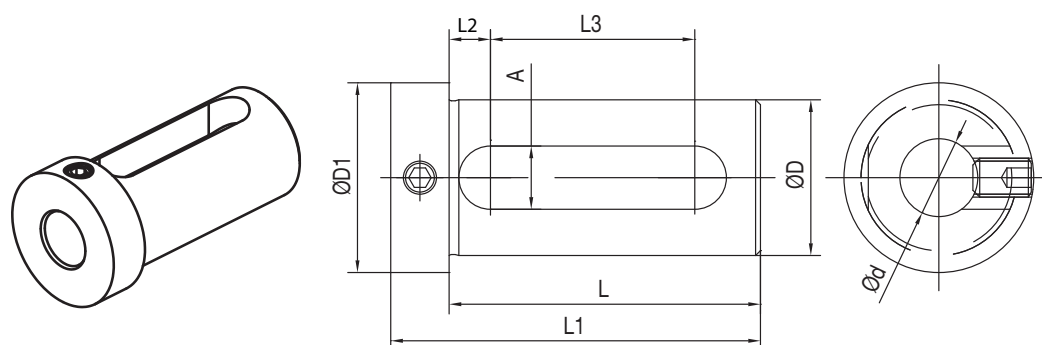
CODE N.	D
165-64095	20
165-64096	25

BUSSOLA PER PORTABARENI BORING BAR SLEEVE FOR TOOLHOLDER



CODE N.	D	d	FORM	L	L1	L2	L3	A	D1
165-64247	40	8	1	71	75	-	-	-	45
165-64248	40	10	1	71	75	-	-	-	45
165-64249	40	12	1	71	75	-	-	-	45
165-64251	40	16	2	71	75	8	52	13	45
165-64253	40	20	2	71	75	8	52	13	45
165-64254	40	25	2	71	75	8	52	13	45
165-64255	40	32	2	71	75	8	52	13	45

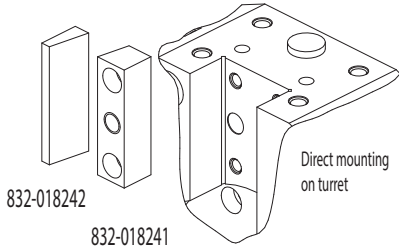
BUSSOLA PER PORTABARENI BORING BAR SLEEVE FOR TOOLHOLDER



CODE N.	D	d	L	L1	L2	L3	A	D1
165-64241	40	16	74	88	9	51	14	48
165-64243	40	20	74	88	9	51	14	48
165-64244	40	25	74	88	9	51	14	48
165-64245	40	32	74	88	9	51	14	48

DOOSAN PUMA

230S
240S
LYNX210



Direct mounting on turret

832-018242

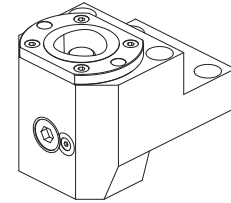
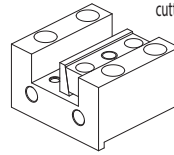
832-018241

Qualified tool 25x25 mm



128-32009

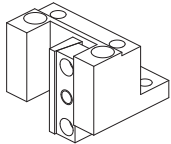
Face and I.D. cutting holder



Face and O.D. cutting holder
Polygonal

128-12073 (C40)
128-12063 (C50)

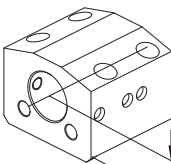
NEWS



Face and O.D. cutting holder

128-42012

ACCESSORIES

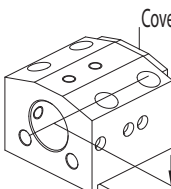


Boring bar holder

Ø40 mm

128-22024

35



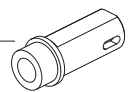
Cover:832-003193

Combi toolholder for boring bar and insertdrill with internal coolant

Ø40 mm

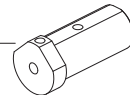
128-22025

35



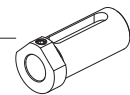
Drill socket

- 114-34012 <MT1>
- 114-34013 <MT2>
- 114-34014 <MT3>



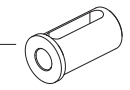
Boring bar sleeve

- 165-64089 (Ø10)
- 165-64090 (Ø12)
- 165-64091 (Ø16)



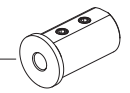
Boring bar sleeve

- 165-64092 (Ø20)
- 165-64093 (Ø25)
- 165-64094 (Ø32)



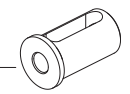
Throw-away drill socket

- 165-64095 (Ø20)
- 165-64096 (Ø25)



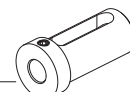
Boring bar sleeve

- 165-64247 (Ø8)
- 165-64248 (Ø10)
- 165-64249 (Ø12)



Boring bar sleeve

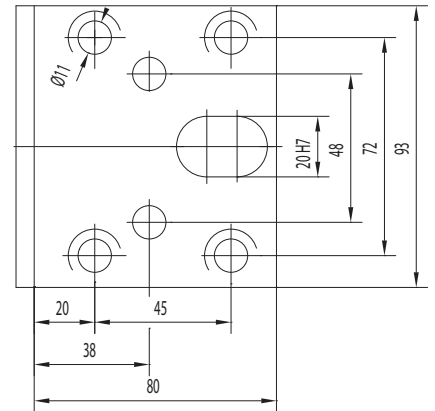
- 165-64251 (Ø16)
- 165-64253 (Ø20)
- 165-64254 (Ø25)
- 165-64255 (Ø32)



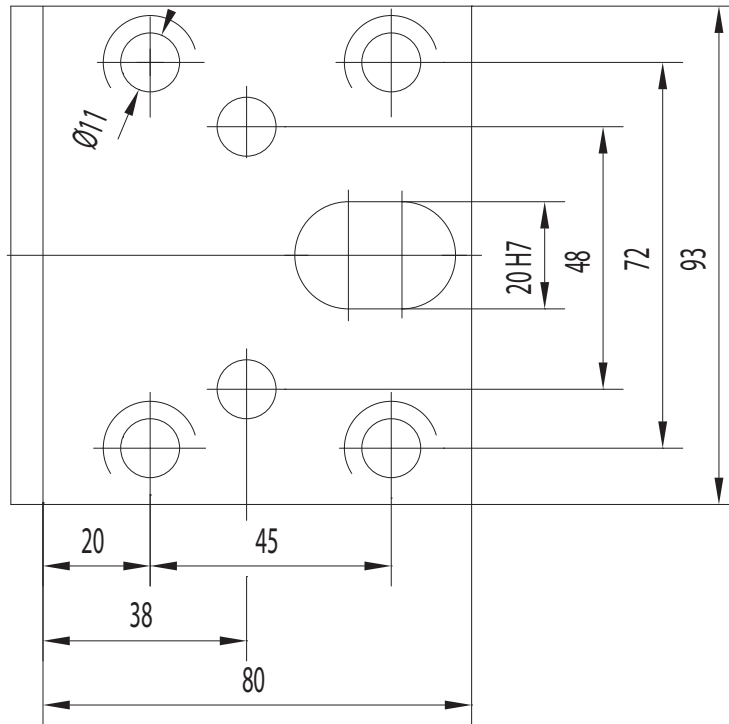
Boring bar sleeve

- 165-64241 (Ø16)
- 165-64243 (Ø20)
- 165-64244 (Ø25)
- 165-64245 (Ø32)

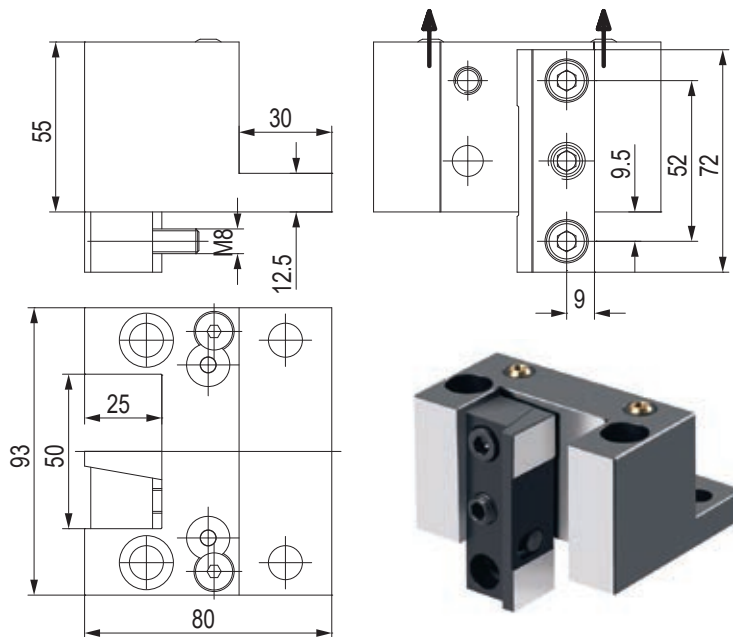
CONNECTION



CONNECTION

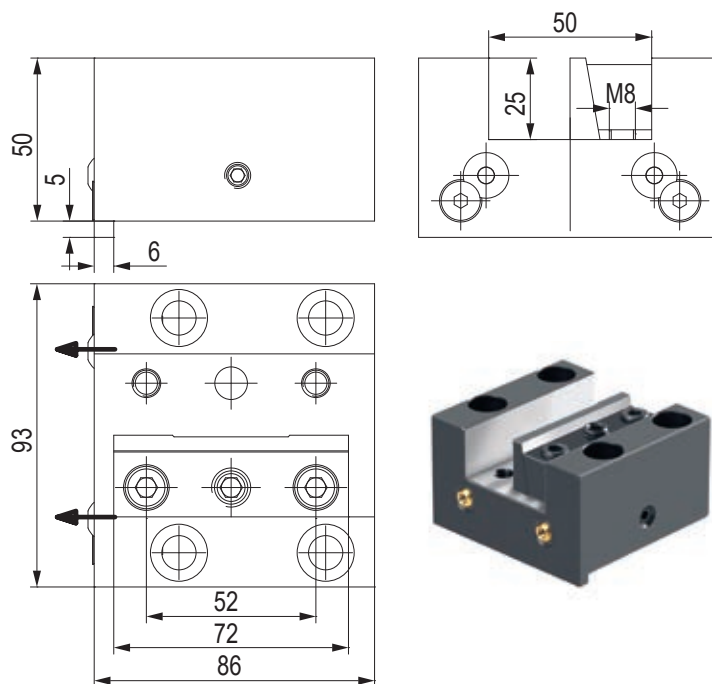


PORTAUTENSILE RADIALE - RADIAL TOOLHOLDERS



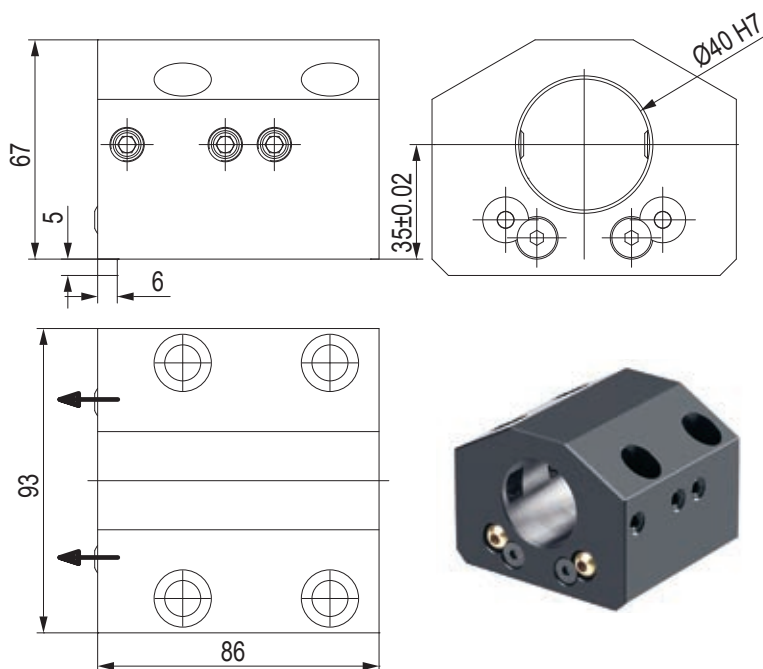
CODE N.	CLAMPING PLATE	COOLANT BALL	SCREW FOR BALL
128-42012	832-018240	833-001470	811-108018

PORTAUTENSILE ASSIALE - AXIAL TOOLHOLDERS



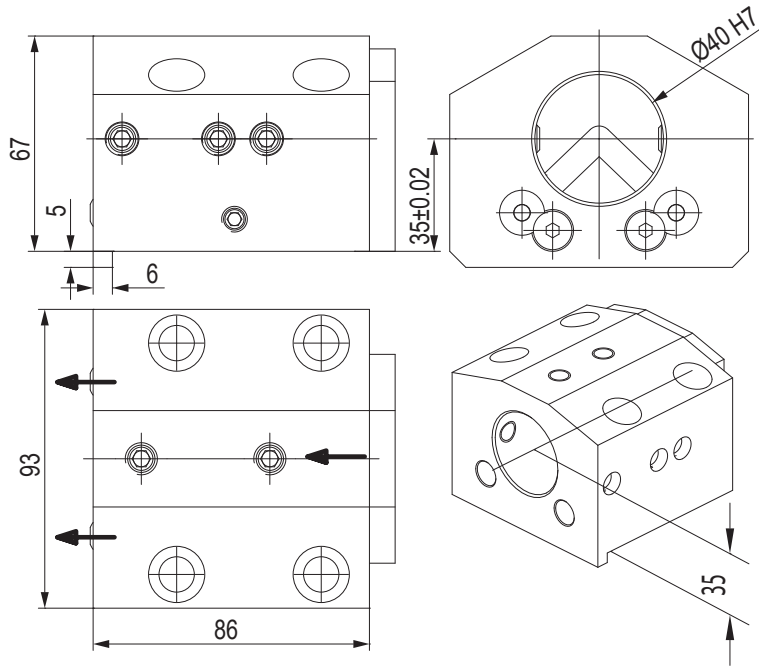
CODE N.	CLAMPING PLATE	COOLANT BALL	SCREW FOR BALL
128-32009	832-018240	833-001470	811-108018

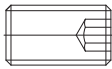
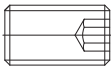
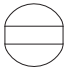
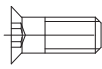
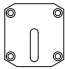
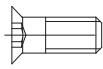
PORTAUTENSILE PER BARENI - TOOLHOLDER FOR BORING BAR



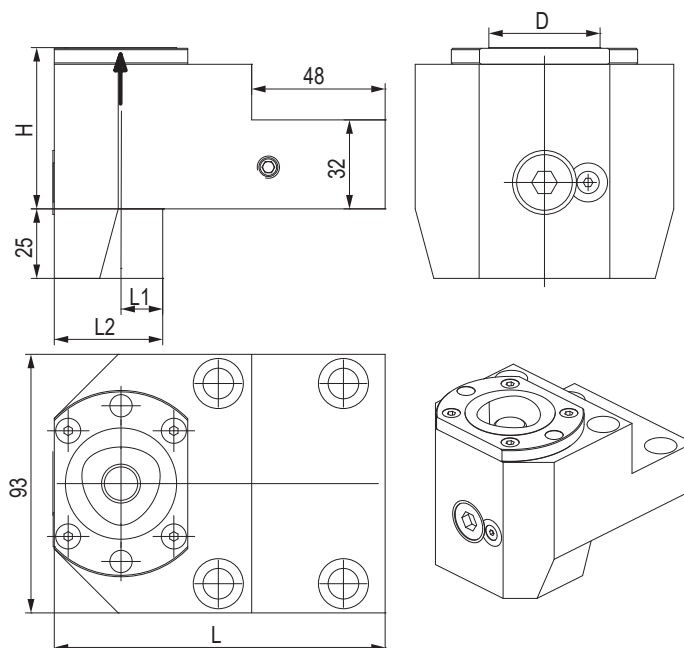
CODE N.	CLAMPING SCREW	COOLANT BALL	SCREW FOR BALL
128-22024	811-102039	833-001470	811-108018

PORTAUTENSILE COMBINATO PER BARENI E PUNTE A INSERTI COMBI TOOLHOLDER FOR BORING BAR AND INSERTDRILL



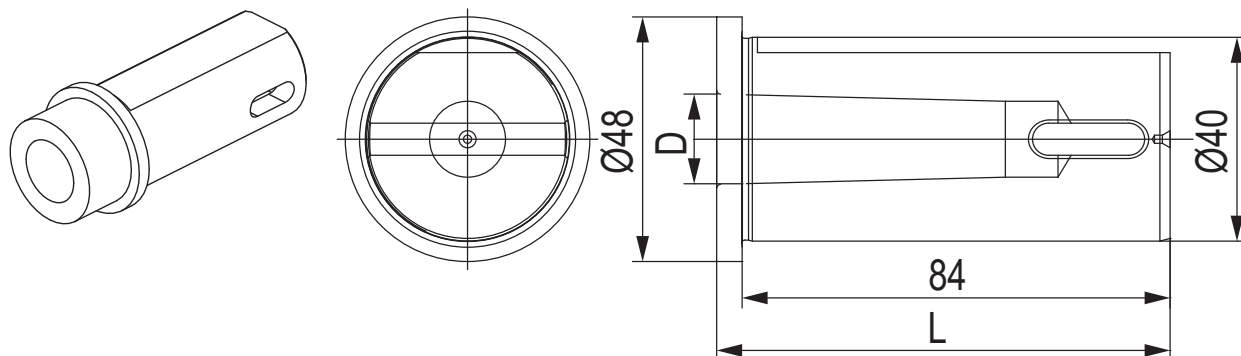
CODE N.	CLAMPING SCREW1 (M10X25)	CLAMPING SCREW2 (M10X12)	COOLANT BALL	SCREW FOR BALL	COVER	SCREW FOR COVER
128-22025						
811-102039	811-102036	833-001470	811-108018	832-003193	811-108024	

PORTAUTENSILE CON USCITA POLIGONALE POLIGONAL TOOLHOLDERS



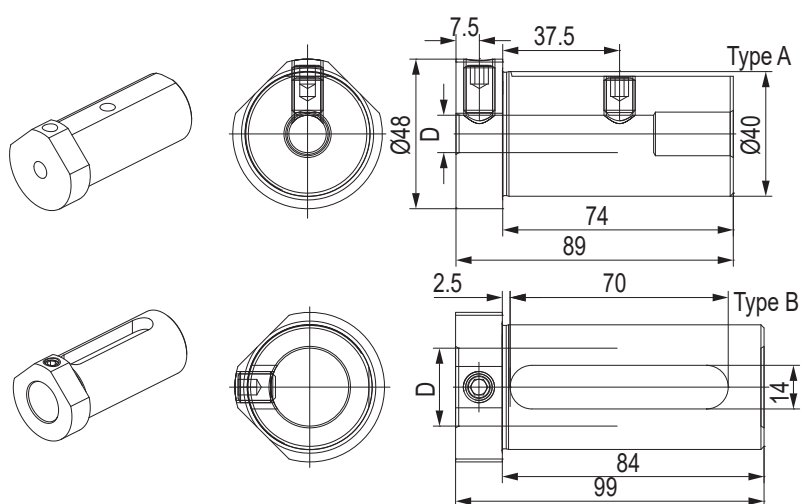
CODE N.	CAPTO	D	H	L	L1	L2	CLAMPING UNIT
128-12073	C40	40	58	119	15	39	CXC40-10
128-12063	C50	50	70	129	17	49	CXC50-10

BUSSOLA PER PORTABARENI DRILL SOCKET FOR TOOLHOLDER



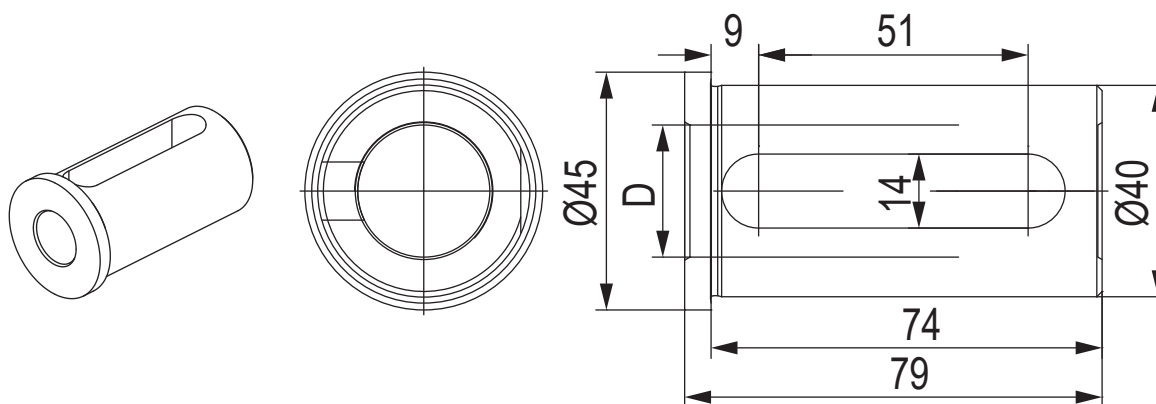
CODE N.	MORSE	D	L
114-34012	1	12,065	89
114-34013	2	17,780	89
114-34014	3	23,825	110

BUSSOLA PER PORTABARENI BORING BAR SLEEVE FOR TOOLHOLDER



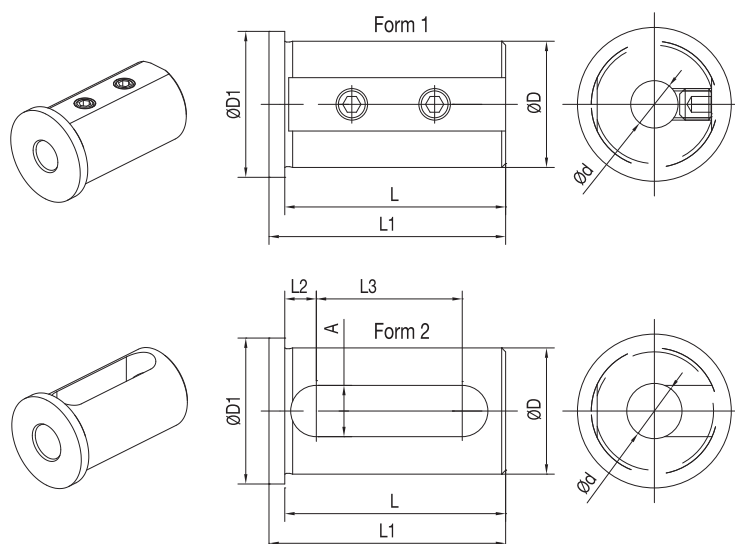
CODE N.	D	TYPE	SCREW1	SCREW2
165-64089	10	A	811-102037	811-102036
165-64090	12	A	811-102037	811-102036
165-64091	16	A	811-102037	811-102035
165-64092	20	B	811-102036	-
165-64093	25	B	811-102036	-
165-64094	32	B	811-102035	-

BUSSOLA PER PORTABARENI BORING BAR SLEEVE FOR TOOLHOLDER



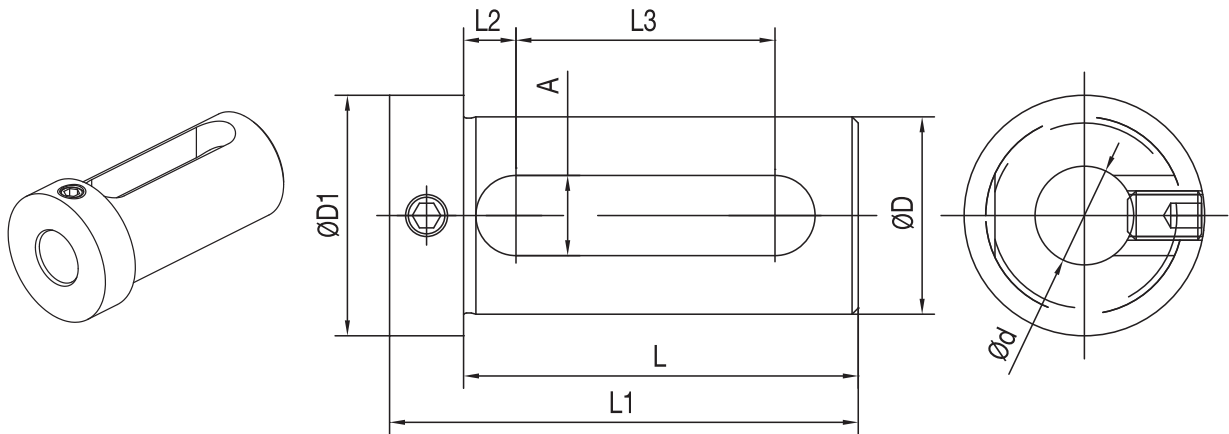
CODE N.	D
165-64095	20
165-64096	25

BUSSOLA PER PORTABARENI BORING BAR SLEEVE FOR TOOLHOLDER



CODE N.	D	d	FORM	L	L1	L2	L3	A	D1
165-64247	40	8	1	71	75	-	-	-	45
165-64248	40	10	1	71	75	-	-	-	45
165-64249	40	12	1	71	75	-	-	-	45
165-64251	40	16	2	71	75	8	52	13	45
165-64253	40	20	2	71	75	8	52	13	45
165-64254	40	25	2	71	75	8	52	13	45
165-64255	40	32	2	71	75	8	52	13	45

BUSSOLA PER PORTABARENI BORING BAR SLEEVE FOR TOOLHOLDER



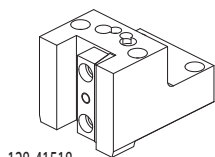
CODE N.	D	d	L	L1	L2	L3	A	D1
165-64241	40	16	74	88	9	51	14	48
165-64243	40	20	74	88	9	51	14	48
165-64244	40	25	74	88	9	51	14	48
165-64245	40	32	74	88	9	51	14	48



DOOSAN (BMT45)

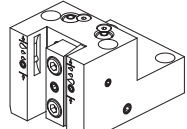
LYNX 2100LYA/LYB (24 POSITION INDEX)
LYNX 2100MA/220 (LMSA,LMSC)
220 (LSYA,LSYC), 220 (M,LM)
LYNX 220 (MA,LMA,MC,LMC)
220 (YA,YC,LYA,LYC)
PUMA MX1600 (T,ST)

HARDINGE BMT45
SMEC PL1600 (M,CM)



128-41518

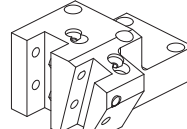
Face and O.D.
cutting holder



128-41518-IC

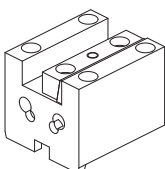
I.Coolant

Face and O.D.
cutting holder



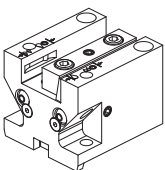
128-41519

Face and O.D.
cutting holder



128-31511

Face and O.D.
cutting holder



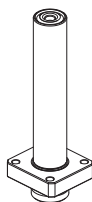
128-31511-IC

I.Coolant

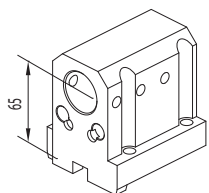
Face and O.D.
cutting holder



Protection cover
137-00252



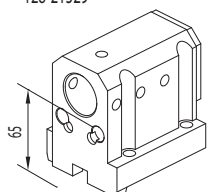
Control pin
137-00197



128-21529

Toolholder
for boring bar

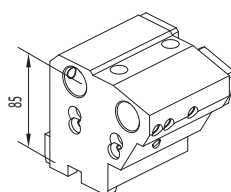
Ø32 mm



128-21530 (D32)
128-21547 (D40)

Combi toolholder

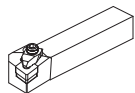
for boring bar
and insertdrill



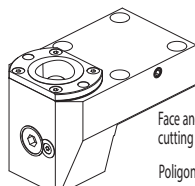
128-21531

Combi toolholder
for boring bar

2xØ25 mm



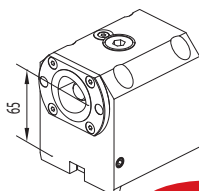
Qualified tool
20x20 mm



128-11572

NEWS

Face and O.D.
cutting holder
Poligonal C40



128-11571

NEWS

Boring bar holder
Poligonal C40

ACCESSORIES

D32

Drill socket

114-33208 <MT1>
114-33209 <MT2>

Boring bar sleeve

115-63260 (Ø8)
115-63261 (Ø10)
115-63211 (Ø12)
115-63212 (Ø16)
115-63213 (Ø20)

Boring bar sleeve

115-63214 (Ø25)

Boring bar sleeve

165-63352 (Ø8)
165-63353 (Ø10)
165-63354 (Ø12)

Boring bar sleeve

165-63356 (Ø16)
165-63358 (Ø20)
165-63359 (Ø25)

Boring bar sleeve

165-63347 (Ø16)
165-63349 (Ø20)
165-63350 (Ø25)

Boring bar sleeve

115-62538 (Ø8 mm)
115-62539 (Ø10 mm)
115-62540 (Ø12 mm)

Boring bar sleeve

115-62541 (Ø16 mm)

D40

165-64247 (Ø8)
165-64248 (Ø10)
165-64249 (Ø12)

165-64251 (Ø16)
165-64253 (Ø20)
165-64254 (Ø25)
165-64255 (Ø32)

165-64241 (Ø16)
165-64243 (Ø20)
165-64244 (Ø25)
165-64245 (Ø32)

Boring bar sleeve

165-62551 (Ø8)
165-62552 (Ø10)
165-62553 (Ø12)

Boring bar sleeve

165-62545 (Ø12)
165-62547 (Ø16)
165-62549 (Ø20)

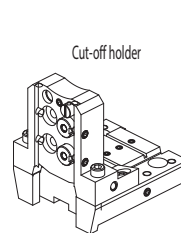
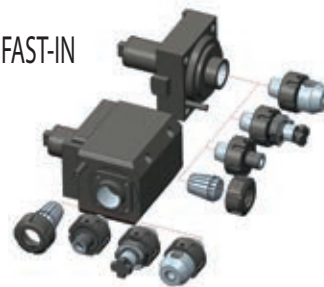


124-04501
124-04502 I.Coolant



124-04503
124-04504 I.Coolant

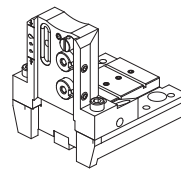
FAST-IN



128-11546

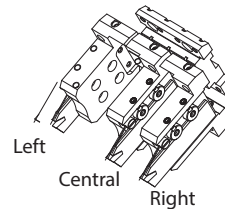
Cut-off holder

Cut-off tool
26 mm



128-11546-IC

I.Coolant

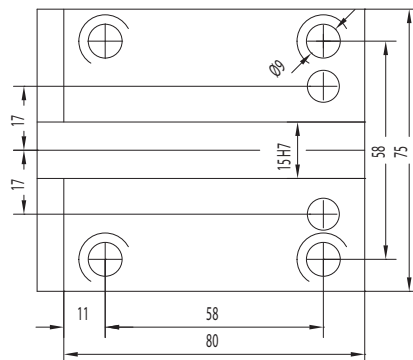


Left

Central

Right

CONNECTION

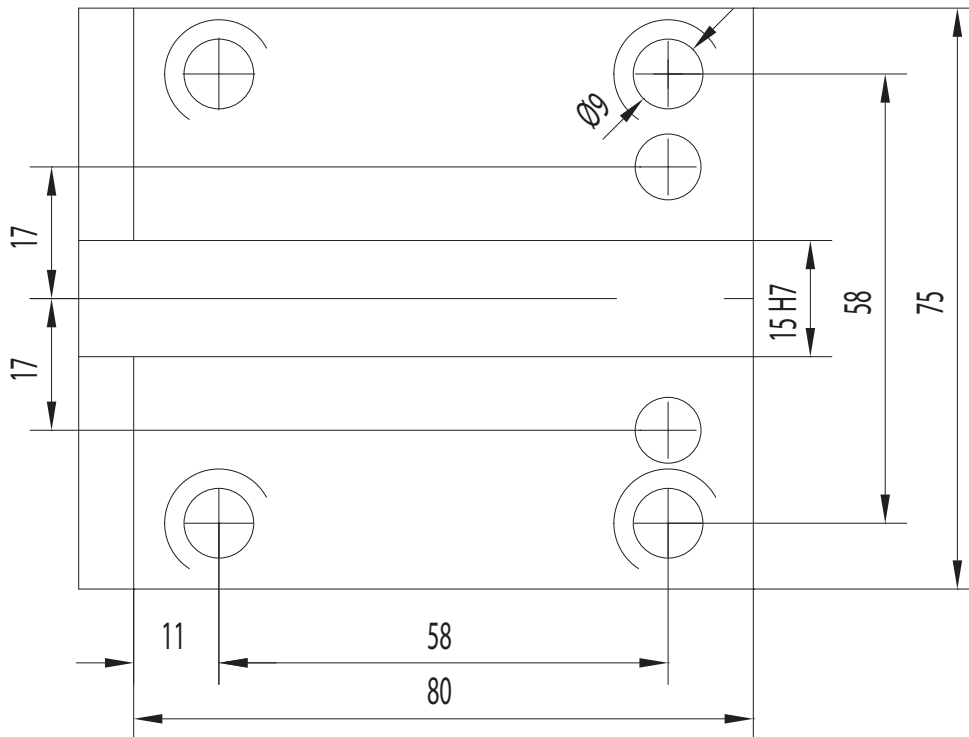


Boring bar sleeve
165-62551 (Ø8)
165-62552 (Ø10)
165-62553 (Ø12)

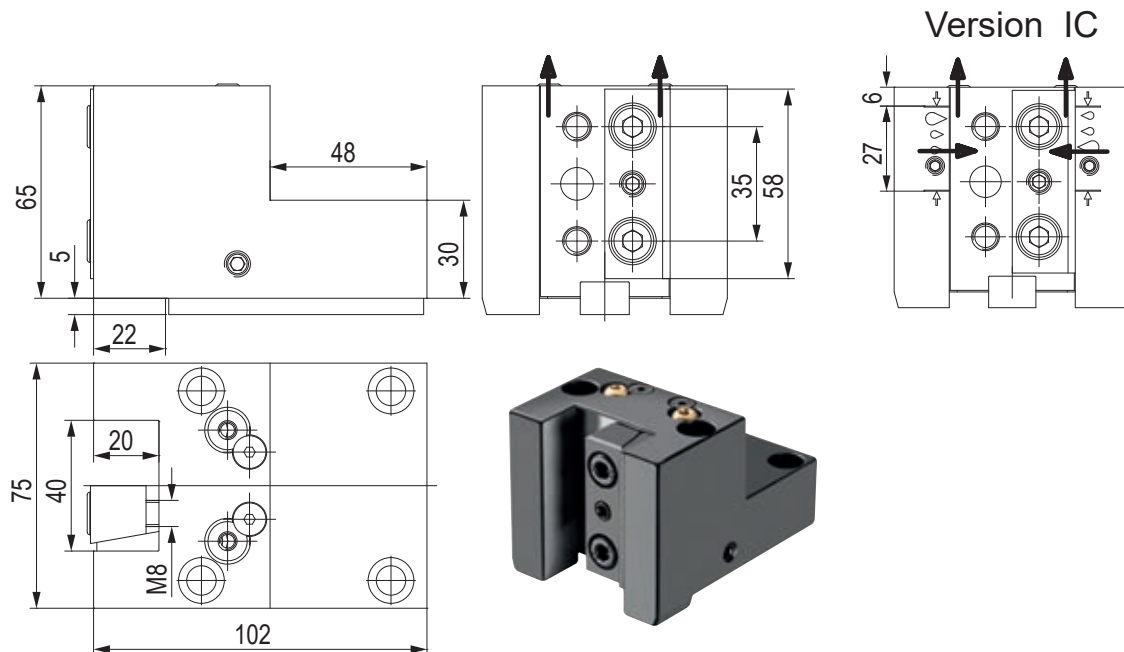
Boring bar sleeve
165-62555 (Ø16)
165-62557 (Ø20)

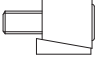

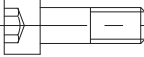
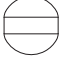
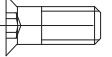
Boring bar sleeve
165-62545 (Ø12)
165-62547 (Ø16)
165-62549 (Ø20)

CONNECTION

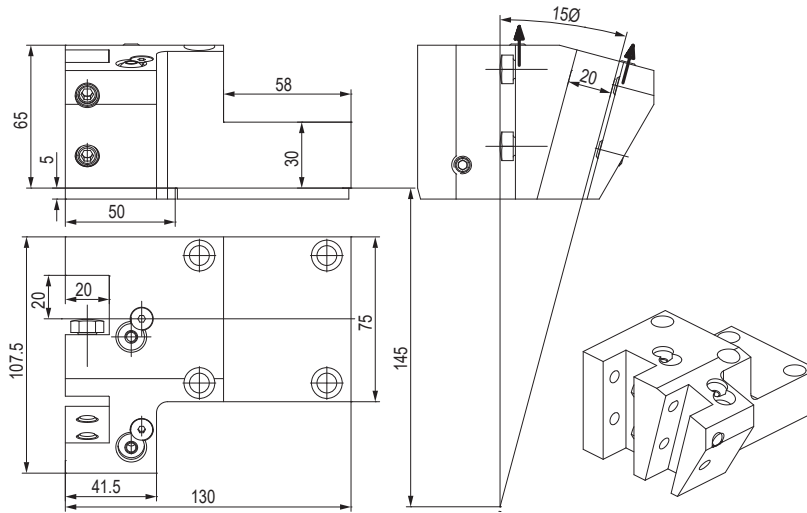


PORTAUTENSILE RADIALE - RADIAL TOOLHOLDERS



CODE N.	INTERNAL COOLANT	CLAMPING PLATE	KEY	SCREW FOR KEY	COOLANT BALL	SCREW FOR BALL
128-41518	NO					
128-41518-IC	YES	832-007160	814-203450	811-101016	833-001410	811-108024
		832-007160	814-203450	811-101016	833-001410	811-108024

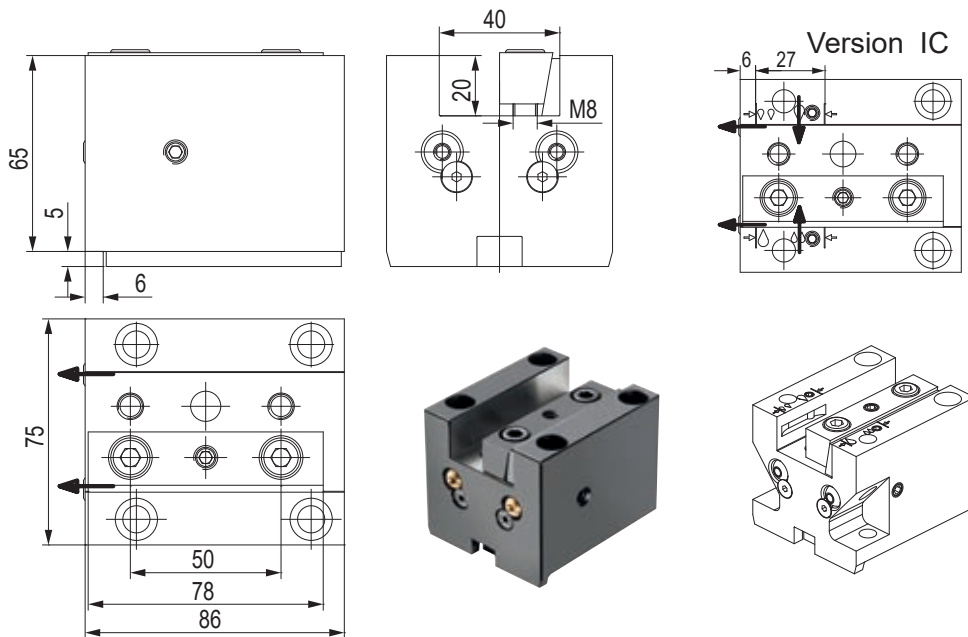
PORTAUTENSILE RADIALE - RADIAL TOOLHOLDERS



CODE N.	CLAMPING SCREW 0°	CLAMPING SCREW 15°-M10X12	CLAMPING SCREW 15°-M10X16
128-41519	811-301128	811-102036	811-102037

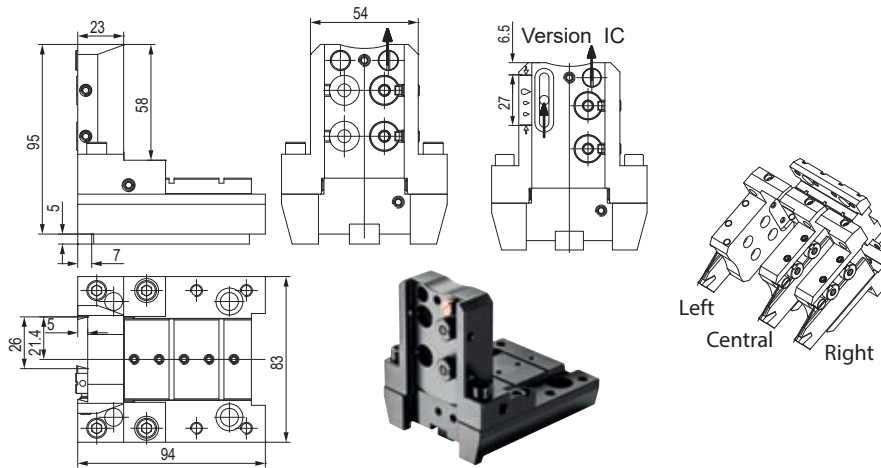
CODE N.	KEY	SCREW FOR KEY	COOLANT BALL	SCREW FOR BALL
128-41519	814-203450	811-101016	833-001410	811-108024

PORTAUTENSILE ASSIALE - AXIAL TOOLHOLDERS



CODE N.	INTERNAL COOLANT	CLAMPING PLATE	KEY	SCREW FOR KEY	COOLANT BALL	SCREW FOR BALL
128-31511	NO	832-007200	814-203450	811-101016	833-001410	811-108024
128-31511-IC	YES	832-007200	814-203450	811-101016	833-001410	811-108024

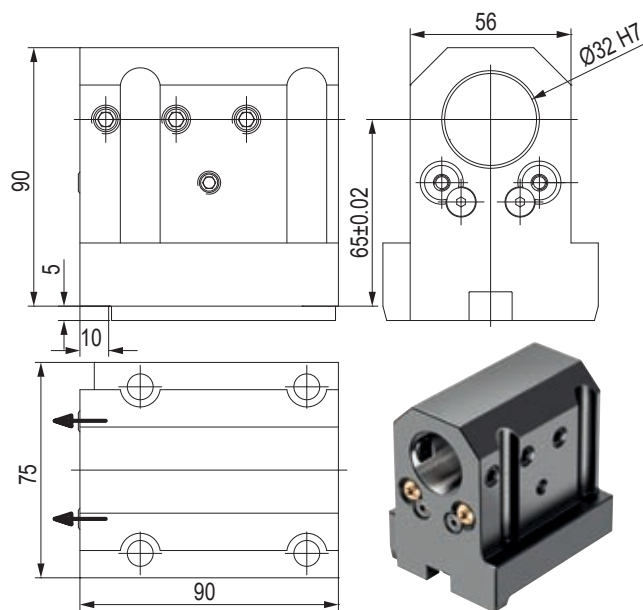
PORTALAMA - CUT-OFF HOLDERS



CODE N.	INTERNAL COOLANT	KEY	SCREW FOR KEY	COOLANT NOZZLE	O RING FOR COOLANT NOZZLE	O RING FOR INT. COOLANT	O RING FOR BODY
128-11546	NO	814-203450	811-101015	833-001490	823-101058	-	823-101061
128-11546-IC	YES	814-203450	811-101015	833-001490	823-101058	823-201140	823-101061

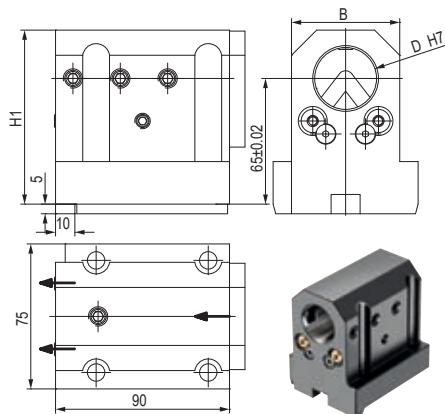
CODE N.	SHIM PLATE	SCREW FOR PLATE	CLAMPING PIN	SPRING	CLAMPING SCREW	SCREW
128-11546	832-014448	811-108037	832-014447	824-300012	811-101028	811-104013
128-11546-IC	832-014448	811-108037	832-014447	824-300012	811-101028	811-104013

PORTAUTENSILE PER BARENI - TOOLHOLDER FOR BORING BAR



CODE N.	CLAMPING SCREW	KEY	SCREW FOR KEY	COOLANT BALL	SCREW FOR BALL
128-21529	811-102036	814-203450	811-101016	833-001410	811-108024

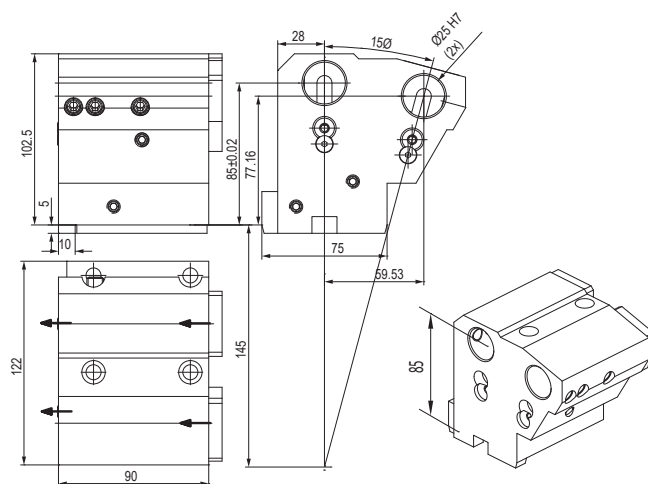
PORTAUTENSILE COMBINATO PER BARENI E PUNTE A INSERTI COMBI TOOLHOLDER FOR BORING BAR AND INSERTDRILL



CODE N.	D	B	H1	CLAMPING SCREW1 (M10X12)	CLAMPING SCREW2 (M10X10)	KEY	SCREW FOR KEY
128-21530	32	56	90	811-102036	811-102035	814-203450	811-101016
128-21547	40	63	94	811-102036	811-102035	814-203450	811-101016

	COOLANT BALL	SCREW FOR BALL	COVER	SCREW FOR COVER
128-21530	833-001410	811-108024	832-003361	811-101016
128-21547	833-001410	811-108024	832-003398	811-101016

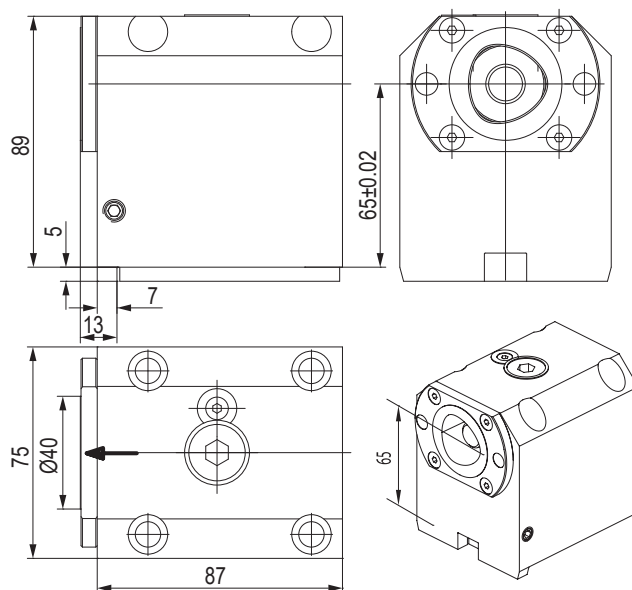
PORTAUTENSILE COMBINATO PER BARENI COMBI TOOLHOLDER FOR BORING BAR



CODE N.	CLAMPING SCREW1 (M10X12)	CLAMPING SCREW2 (M10X10)	KEY	SCREW FOR KEY
128-21531	811-102037	811-102036	814-203450	811-101016

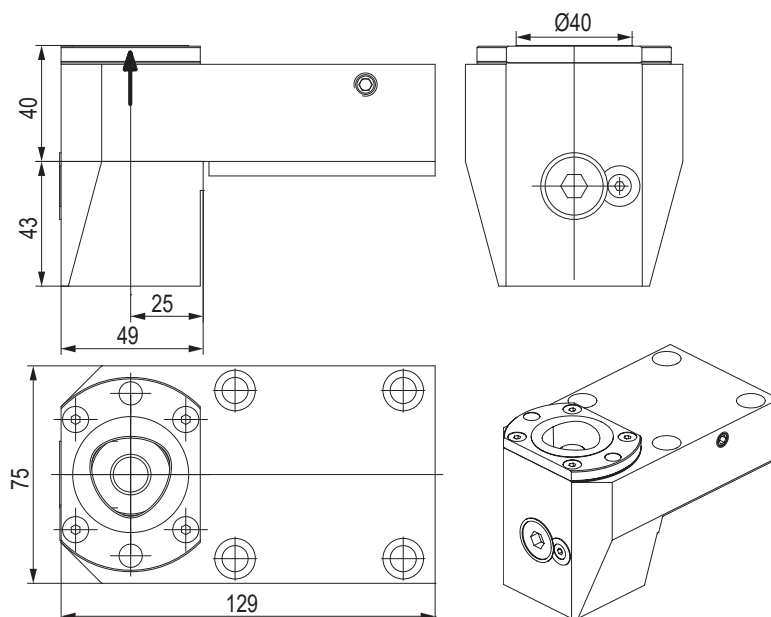
CODE N.	COOLANT BALL	SCREW FOR BALL	COVER	SCREW FOR COVER
128-21531	833-001410	811-108024	832-003367	811-101010

PORTAUTENSILE CON USCITA POLIGONALE POLIGONAL TOOLHOLDERS



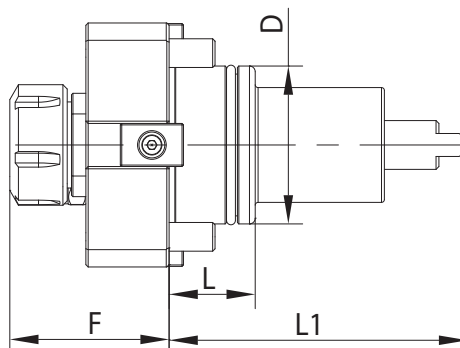
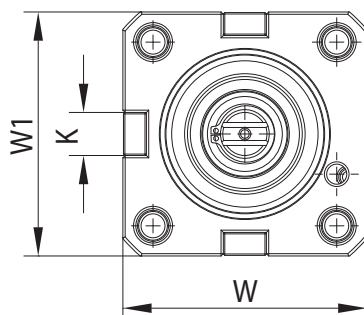
CODE N.	CAPTO	CLAMPING UNIT	KEY	SCREW FOR KEY
128-11571	C40	CXC40-10	814-203450	811-101016

PORTAUTENSILE CON USCITA POLIGONALE POLIGONAL TOOLHOLDERS



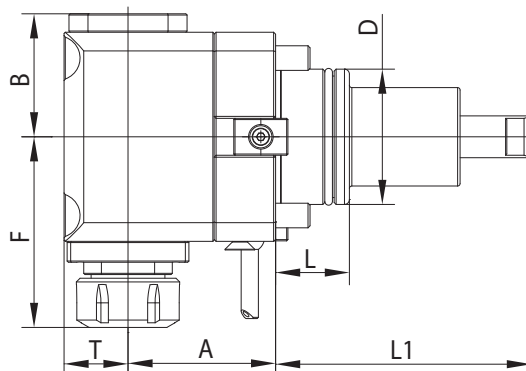
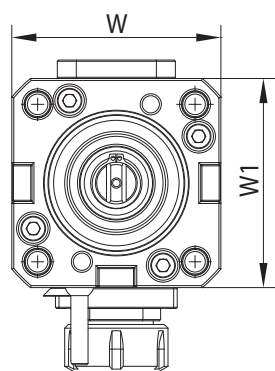
CODE N.	CAPTO	CLAMPING UNIT	KEY	SCREW FOR KEY
128-11572	C40	CXC40-10	814-203450	811-101016

PORTAUTENSILE MOTORIZZATO ASSIALE STRAIGHT DRILLING AND MILLING HEAD



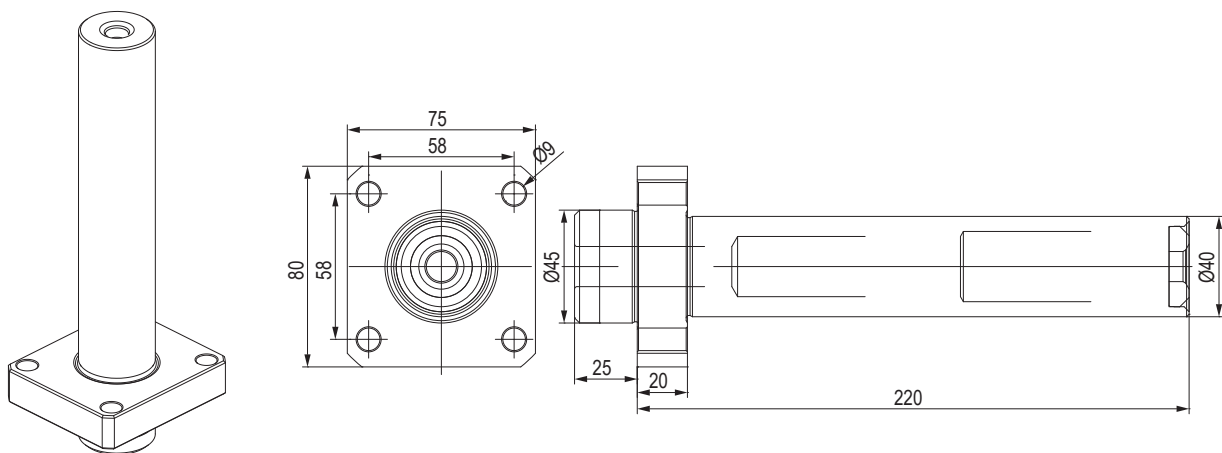
CODE N.	ER	D	F	K	L	L1	W	W1	MAX SPEED (Rpm)	I	MAX. TORQUE (Nm)	INTERNAL COOLING
124-04501	ER25	45	67.6	15	40	84	78.5	75	6000	1:1	50	no
124-04502	ER25	45	67.6	15	40	84	78.5	75	6000	1:1	50	yes

PORTAUTENSILE MOTORIZZATO RADIALE ANGULAR DRILLING AND MILLING HEAD



CODE N.	ER	D	A	B	F	L	L1	T	W	W1	MAX SPEED (Rpm)	I	MAX. TORQUE (Nm)	INTERNAL COOLING	P Bar
124-04503	ER25	45	65	57	97.6	40	84	36.5	75	83	6000	1:1	50	no	-
124-04504	ER25	45	65	57	97.6	40	84	36.5	75	83	6000	1:1	50	yes	20

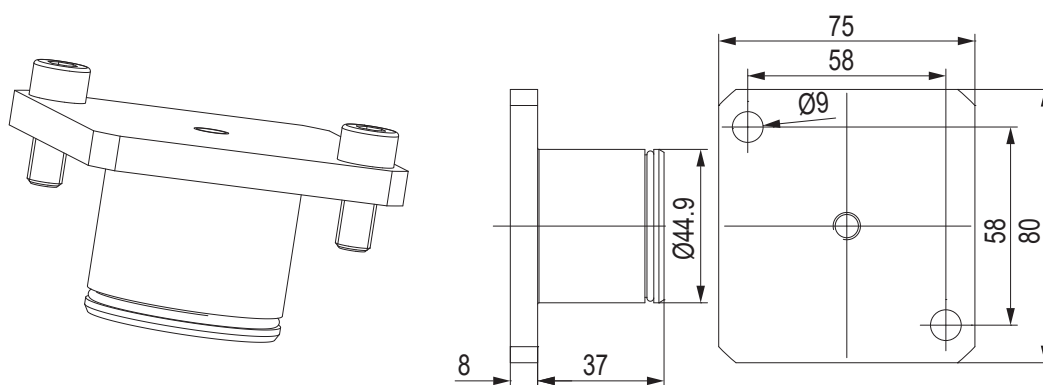
BARRA DI CONTROLLO - CONTROL PIN



CODE N.

137-00197

TAPPO DI PROTEZIONE - PROTECTION COVER



CODE N.

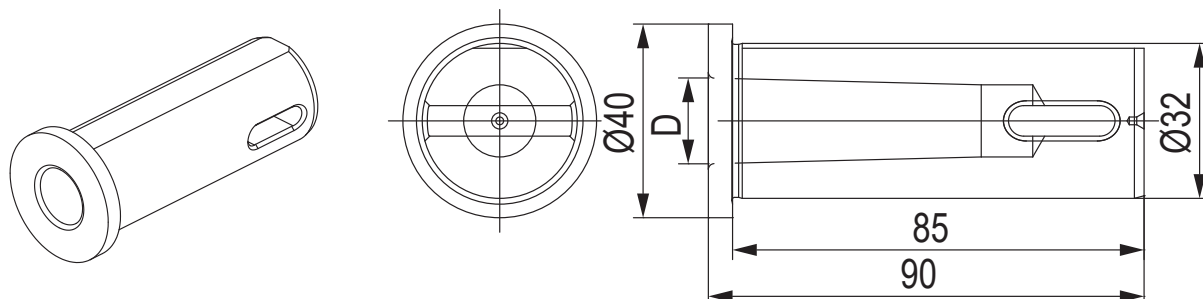
O RING



137-00252

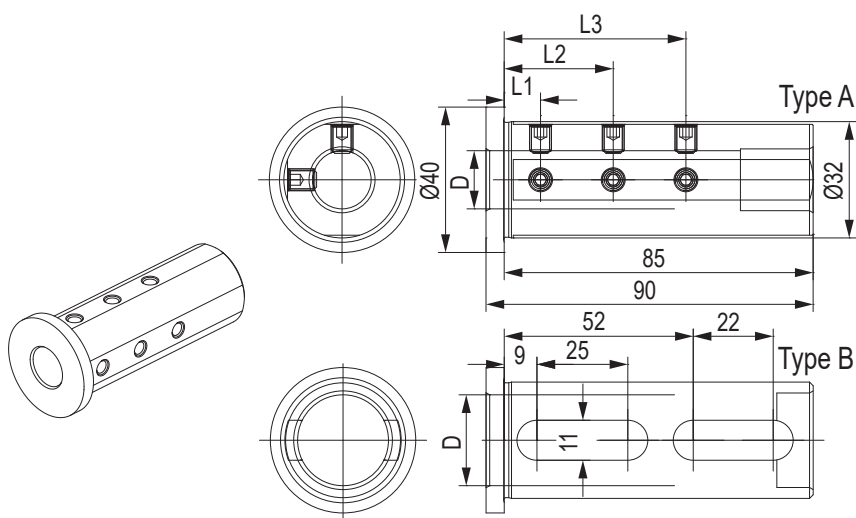
823-101066

BUSSOLA PER PORTABARENI DRILL SOCKET FOR TOOLHOLDER

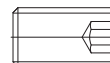


CODE N.	MORSE	D
114-33208	1	12,065
114-33209	2	17,780

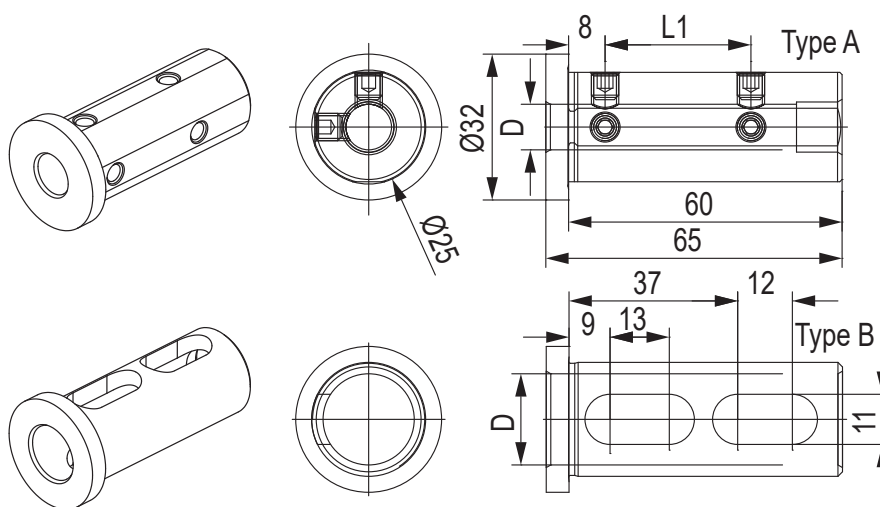
BUSSOLA PER PORTABARENI BORING BAR SLEEVE FOR TOOLHOLDER



CODE N.	D	L1	L2	L3	TYPE	SCREW
115-63260	8	8	35	-	A	811-102019
115-63261	10	8	40	-	A	811-102019
115-63211	12	8	40	-	A	811-102018
115-63212	16	10	30	50	A	811-102018
115-63213	20	10	30	50	A	811-102017
115-63214	25	-	-	-	B	-



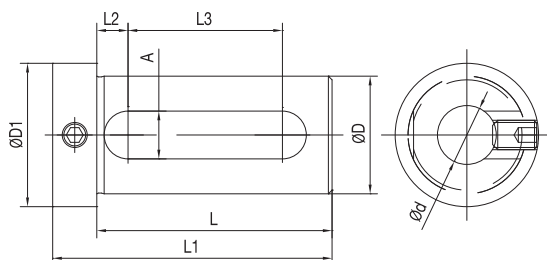
BUSSOLA PER PORTABARENI BORING BAR SLEEVE FOR TOOLHOLDER



CODE N.	D	L1	TYPE	SCREW
115-62538	8	27	A	811-102018
115-62539	10	32	A	811-102017
115-62540	12	32	A	811-102017
115-62541	16	-	B	-

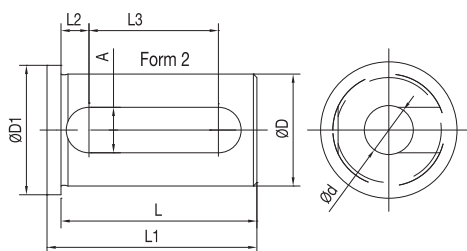
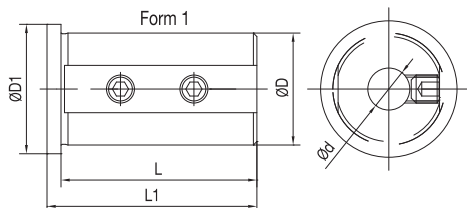


BUSSOLA PER PORTABARENI BORING BAR SLEEVE FOR TOOLHOLDER



CODE N.	D	d	L	L1	L2	L3	A	D1
115-62044	20	8	50	60	7	29	11	28
115-62045	20	10	50	60	7	29	11	28
115-62046	20	12	50	60	7	29	11	28
115-62047	20	16	50	60	7	29	11	28
165-62545	25	12	55	67	8	32	13	33
165-62547	25	16	55	67	8	32	13	33
165-62549	25	20	55	67	8	32	13	33
165-63347	32	16	65	77	8	42	13	39
165-63349	32	20	65	77	8	42	13	39
165-63350	32	25	65	77	8	42	13	39
165-64241	40	16	75	89	9	51	14	48
165-64243	40	20	75	89	9	51	14	48
165-64244	40	25	75	89	9	51	14	48
165-64245	40	32	75	89	9	51	14	48
165-65017	50	25	85	99	9	61	14	60
165-65018	50	32	85	99	9	61	14	60
165-65019	50	40	85	99	9	61	14	60
165-66056	60	25	95	109	9	71	14	70
165-66057	60	32	95	109	9	71	14	70
165-66058	60	40	95	109	9	71	14	70
165-66059	60	50	95	109	9	71	14	70

BUSSOLA PER PORTABARENI BORING BAR SLEEVE FOR TOOLHOLDER



CODE N.	D	d	FORM	L	L1	L2	L3	A	D1
165-62551	25	8	1	46	50	-	-	-	30
165-62552	25	10	1	46	50	-	-	-	30
165-62553	25	12	1	46	50	-	-	-	30
165-62555	25	16	2	46	50	8	27	13	30
165-62557	25	20	2	46	50	8	27	13	30
165-63352	32	8	1	56	60	-	-	-	37
165-63353	32	10	1	56	60	-	-	-	37
165-63354	32	12	1	56	60	-	-	-	37
165-63356	32	16	2	56	60	8	37	13	37
165-63358	32	20	2	56	60	8	37	13	37
165-63359	32	25	2	56	60	8	37	13	37
165-64247	40	8	1	71	75	-	-	-	45
165-64248	40	10	1	71	75	-	-	-	45
165-64249	40	12	1	71	75	-	-	-	45
165-64251	40	16	2	71	75	8	52	13	45
165-64253	40	20	2	71	75	8	52	13	45
165-64254	40	25	2	71	75	8	52	13	45
165-64255	40	32	2	71	75	8	52	13	45



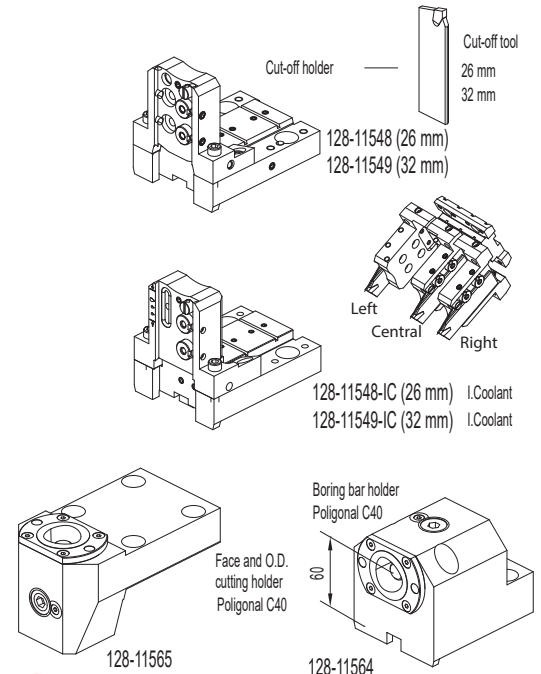
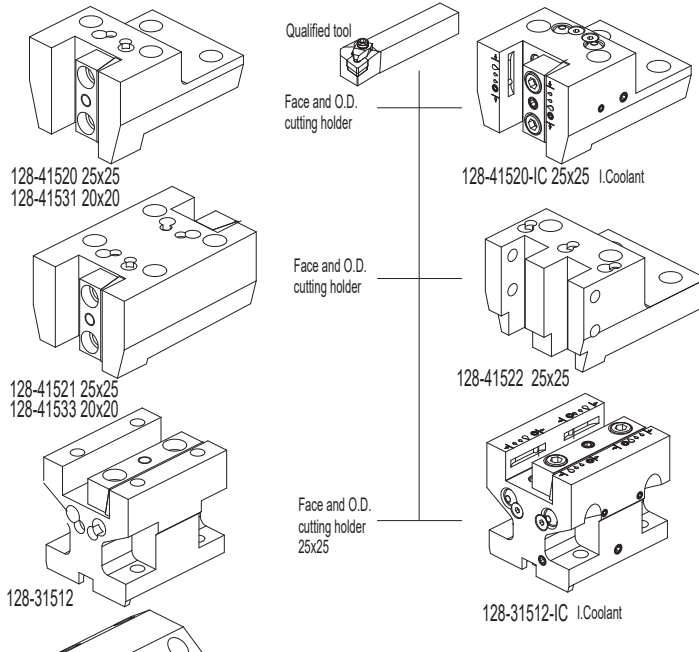
DOOSAN
(BMT55)

LYNX 300 (M)
PUMA 1500/2000/2500 (M,S,Y)
PUMA 2100 (Y,LY,SY,LSY)
PUMA 2100/2600/3100 M/Y/MS/SY
PUMA 230/240/280 (M,LM,S)
PUMA GT2100M / PUMA H250TM
PUMA H250TM
PUMA MX2100 (ST/LST)
PUMA TL2000/2500 (M,LM)
PUMA TT1500/1800 (MS,SY)

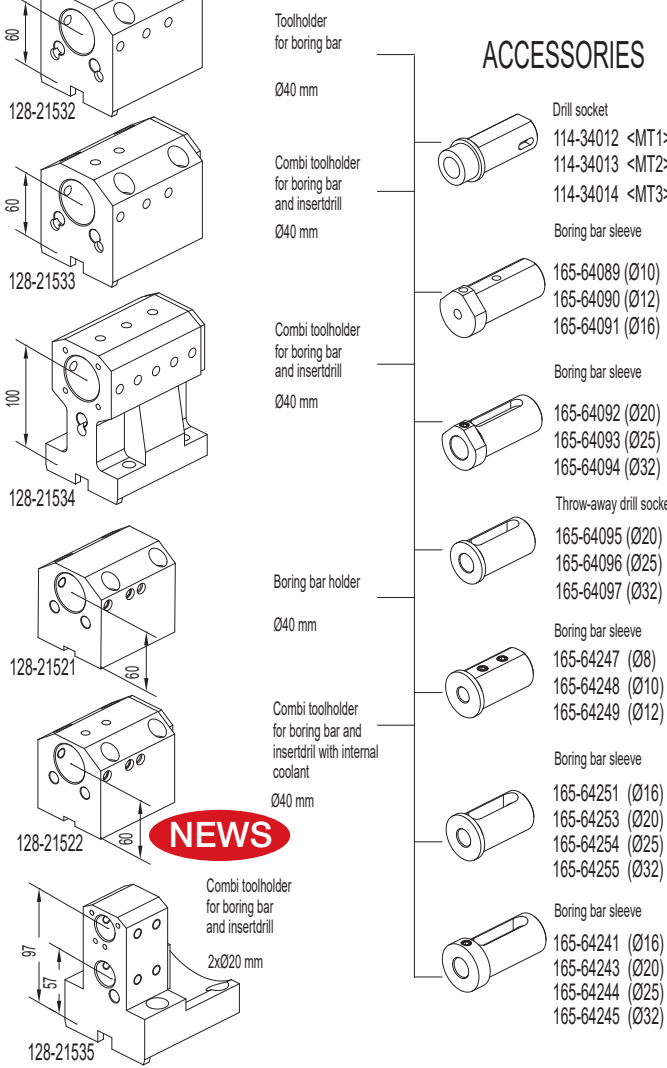
**SAMSUNG
HARDINGE
HYUNDAI WIA**

**HWACHEON
VICTOR**

PL 240LM
T-51 / 65 super precision H51
WIA L230 LMSA
SKT-160 / 180 TTMS / TTSY
LM 1600 / 1800 TTSY
CUTEX-160 / 240 / T2
VTURN-A16/A20 (YSCM)



ACCESSORIES

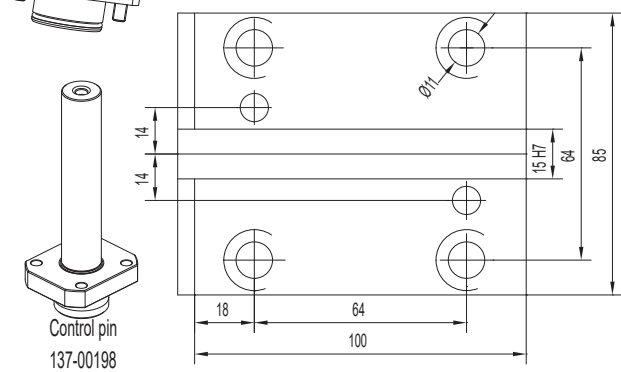


NEWS

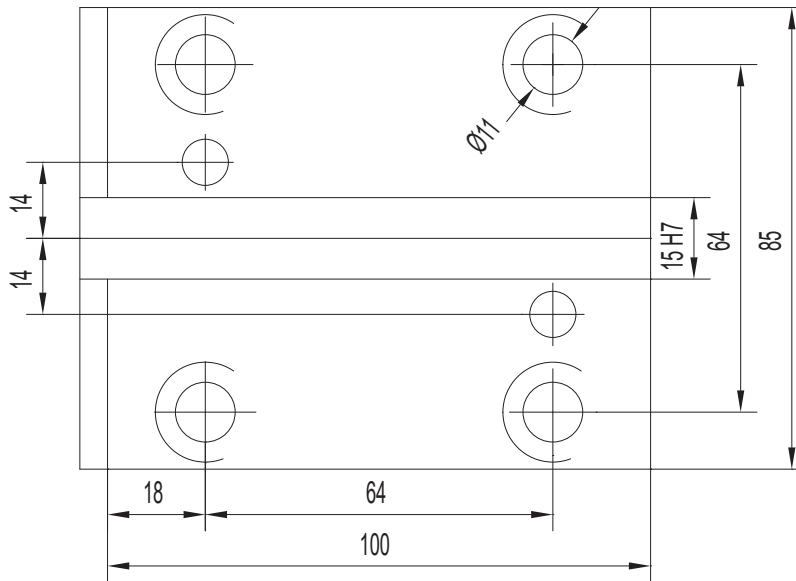
Driven tools



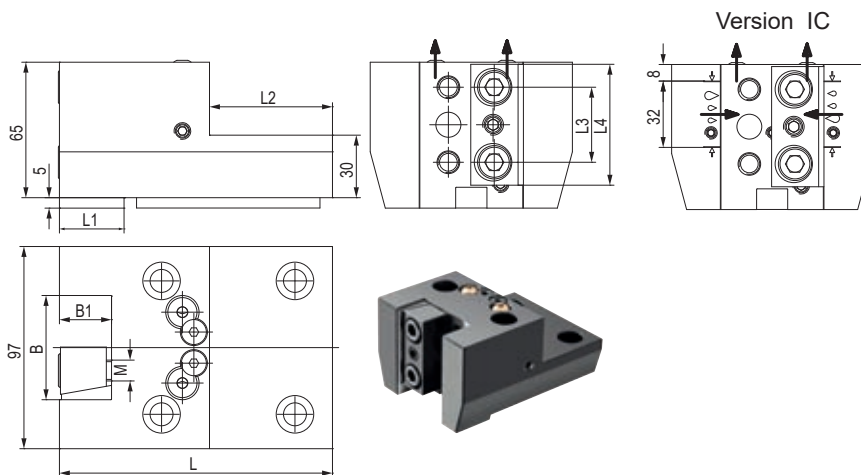
CONNECTION



CONNECTION



PORTAUTENSILE RADIALE - RADIAL TOOLHOLDERS

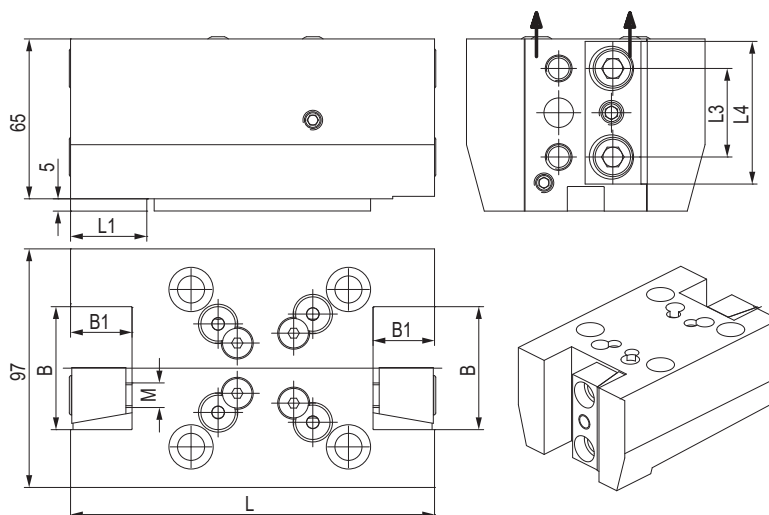


Version IC





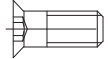
CODE N.	B	B1	L	L1	L2	L3	L4	M
128-41520	50	25	131	31	59	36	58	M10
128-41520-IC	50	25	131	31	59	36	58	M10
128-41531	40	20	109	9	50	35	58	M8

CODE N.	INTERNAL COOLANT	CLAMPING PLATE	KEY	SCREW FOR KEY	COOLANT BALL	SCREW FOR BALL
128-41520	NO					
128-41520-IC	YES	832-007570	814-203230	811-101016	833-001470	811-108018
128-41531	NO	832-007160	814-203230	811-101016	833-001470	811-108018

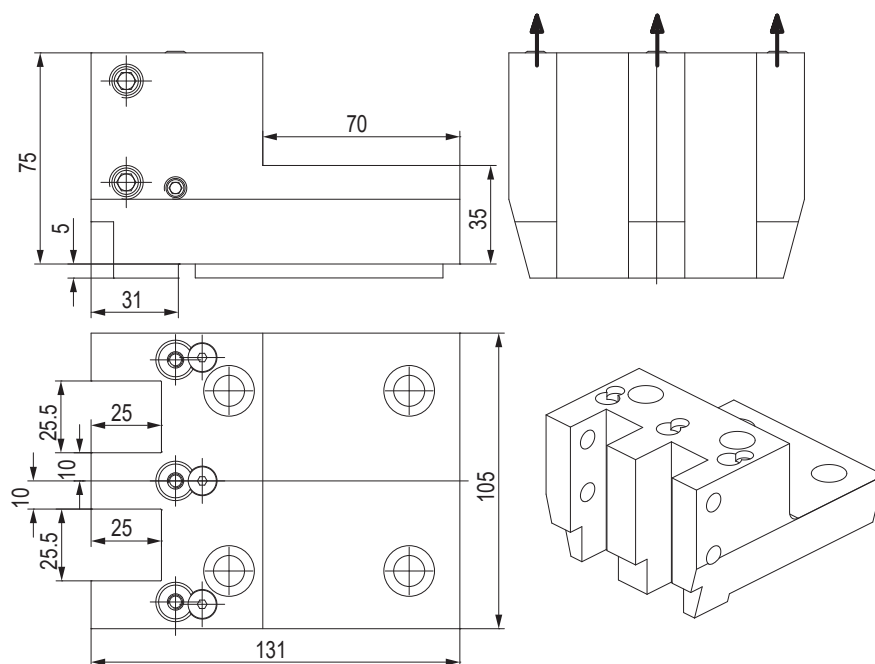
PORTAUTENSILE RADIALE - RADIAL TOOLHOLDERS

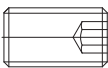

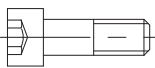
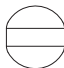
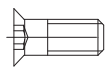


CODE N.	B	B1	L	L1	L3	L4	M
128-41521	50	25	148	31	36	58	M10
128-41533	40	20	122	9	35	58	M8

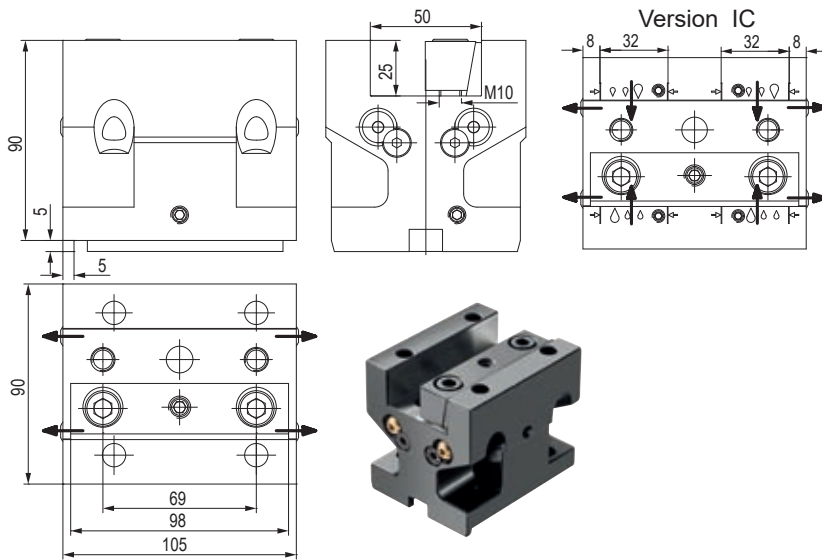
CODE N.	CLAMPING PLATE	KEY	SCREW FOR KEY	COOLANT BALL	SCREW FOR BALL
					
128-41521	832-007570	814-203230	811-101016	833-001470	811-108018
128-41533	832-007160	814-203450	811-101016	833-001470	811-108018

PORTAUTENSILE RADIALE - RADIAL TOOLHOLDERS



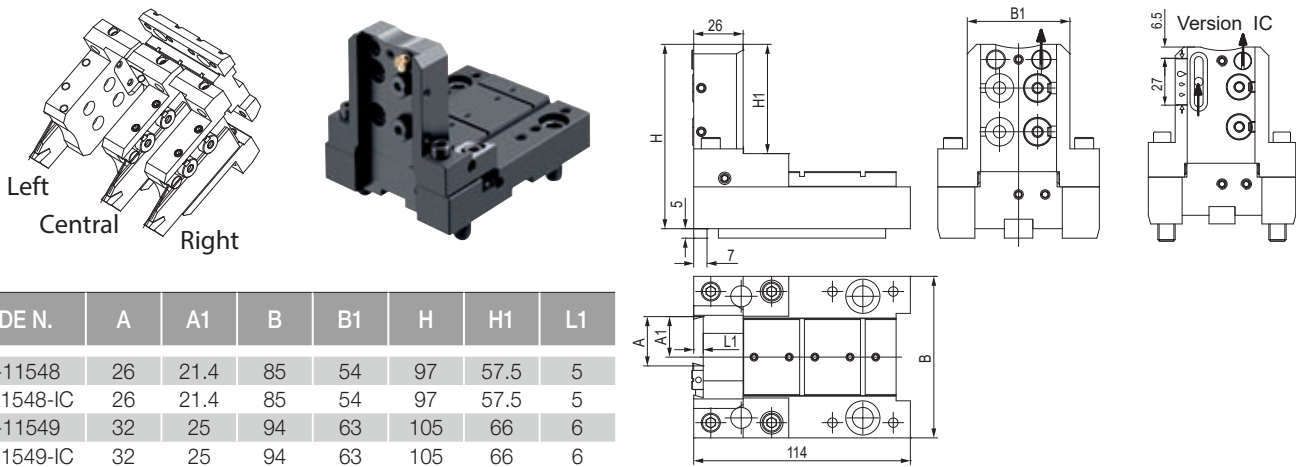
CODE N.	CLAMPING SCREW	KEY	SCREW FOR KEY	COOLANT BALL	SCREW FOR BALL
					
128-41522	811-102043	814-203230	811-101016	833-001410	811-108024

PORTAUTENSILE ASSIALE - AXIAL TOOLHOLDERS



CODE N.	INTERNAL COOLANT	CLAMPING PLATE	KEY	SCREW FOR KEY	COOLANT BALL	SCREW FOR BALL
128-31512	NO	832-007220	814-203230	811-101016	833-001470	811-108018
128-31512-IC	YES	832-007220	814-203230	811-101016	833-001470	811-108018

PORTALAMA - CUT-OFF HOLDERS

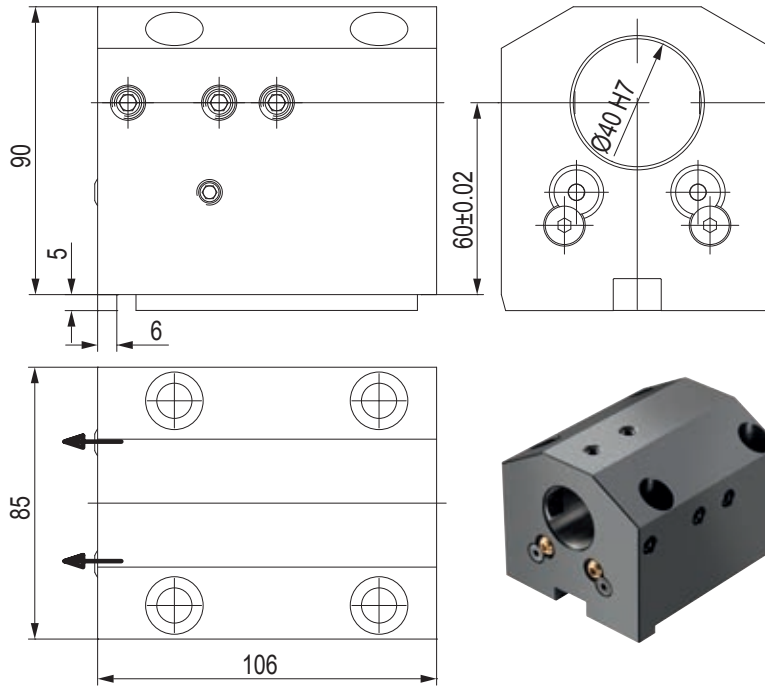


CODE N.	A	A1	B	B1	H	H1	L1
128-11548	26	21.4	85	54	97	57.5	5
128-11548-IC	26	21.4	85	54	97	57.5	5
128-11549	32	25	94	63	105	66	6
128-11549-IC	32	25	94	63	105	66	6

CODE N.	INTERNAL COOLANT	KEY	SCREW FOR KEY	COOLANT NOZZLE	O RING FOR COOLANT NOZZLE	O RING FOR INT. COOLANT	O RING FOR BODY
128-11548	NO	814-203230	811-101015	833-001490	823-101058	-	823-101061
128-11548-IC	YES	814-203230	811-101015	833-001490	823-101058	823-201140	823-101061
128-11549	NO	814-203230	811-101015	833-001490	823-101058	-	823-101061
128-11549-IC	YES	814-203230	811-101015	833-001490	823-101058	823-201140	823-101061

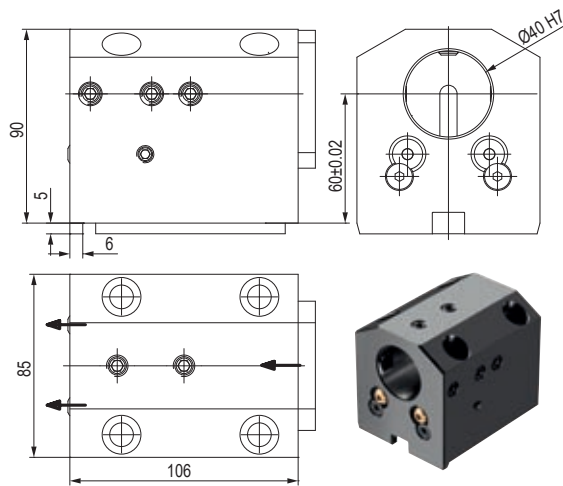
CODE N.	SHIM PLATE	SCREW FOR PLATE	CLAMPING PIN	SPRING	CLAMPING SCREW	SCREW
128-11548	832-014448	811-108037	832-014447	824-300012	811-101028	811-104013
128-11548-IC	832-014448	811-108037	832-014447	824-300012	811-101028	811-104013
128-11549	832-014448	811-108037	832-014450	824-300012	811-101029	811-104013
128-11549-IC	832-014448	811-108037	832-014450	824-300012	811-101029	811-104013

PORTAUTENSILE PER BARENI - TOOLHOLDER FOR BORING BAR



CODE N.	CLAMPING SCREW	KEY	SCREW FOR KEY	COOLANT BALL	SCREW FOR BALL
128-21532	811-102038	814-203230	811-101016	833-001470	811-108018

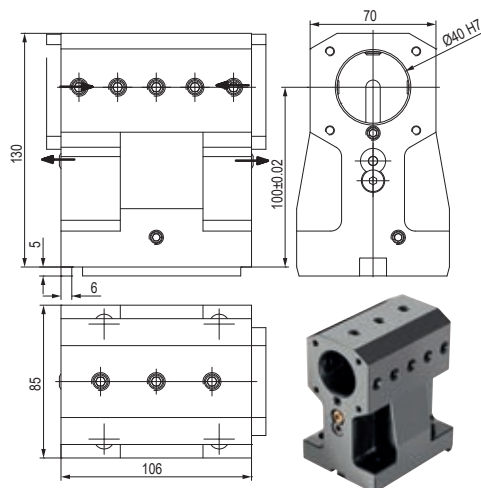
PORTAUTENSILE COMBINATO PER BARENI E PUNTE A INSERTI COMBI TOOLHOLDER FOR BORING BAR AND INSERTDRILL



CODE N.	CLAMPING SCREW1 (M10X20)	CLAMPING SCREW2 (M10X12)	KEY	SCREW FOR KEY
128-21533	811-102038	811-102036	814-203230	811-101016

CODE N.	COOLANT BALL	SCREW FOR BALL	COVER	SCREW FOR COVER
128-21533	833-001470	811-108018	832-003363	811-101016

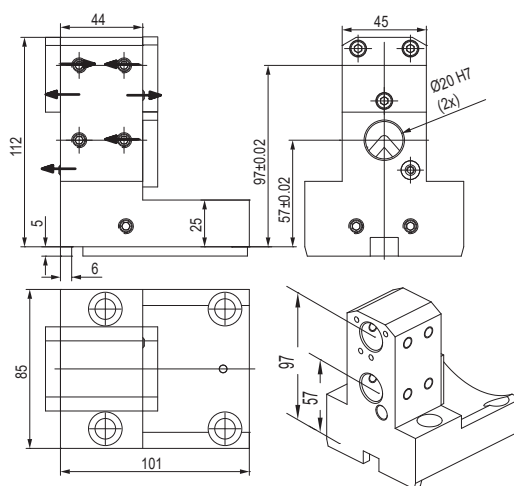
PORTAUTENSILE COMBINATO PER BARENI E PUNTE A INSERTI COMBI TOOLHOLDER FOR BORING BAR AND INSERTDRILL



CODE N.	CLAMPING SCREW1 (M10X16)	CLAMPING SCREW2 (M10X12)	KEY	SCREW FOR KEY
128-21534	811-102037	811-102036	814-203230	811-101016

CODE N.	COOLANT BALL	SCREW FOR BALL	COVER	SCREW FOR COVER
128-21534	833-001470	811-108018	832-003363	811-101016

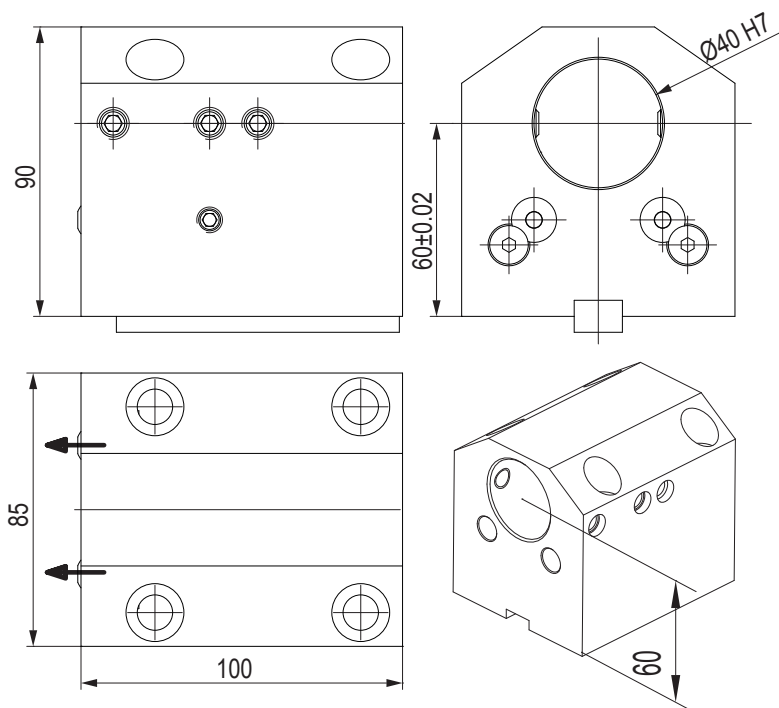
PORTAUTENSILE COMBINATO PER BARENI E PUNTE A INSERTI COMBI TOOLHOLDER FOR BORING BAR AND INSERTDRILL



CODE N.	CLAMPING SCREW	KEY	SCREW FOR KEY
128-21535	811-102028	814-203230	811-101016

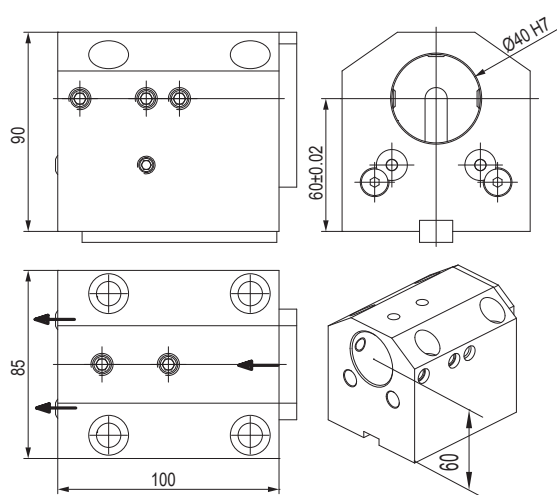
CODE N.	COOLANT NOZZLE	COVER	SCREW FOR COVER
128-21535	833-001070	832-003368	811-101016

PORTAUTENSILE PER BARENI - TOOLHOLDER FOR BORING BAR



CODE N.	CLAMPING SCREW	KEY	SCREW FOR KEY	COOLANT BALL	SCREW FOR BALL
128-21521	811-102038	814-203230	811-101017	833-001470	811-108018

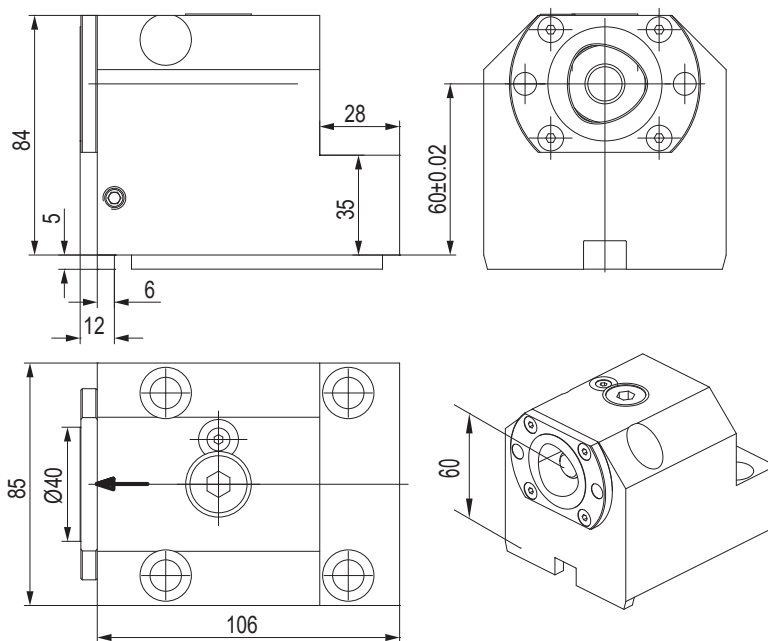
PORTAUTENSILE COMBINATO PER BARENI E PUNTE A INSERTI COMBI TOOLHOLDER FOR BORING BAR AND INSERTDRILL





CODE N.	CLAMPING SCREW1 (M10X20)	CLAMPING SCREW2 (M10X10)	KEY	SCREW FOR KEY
128-21522	811-102038	811-102035	814-203230	811-101017

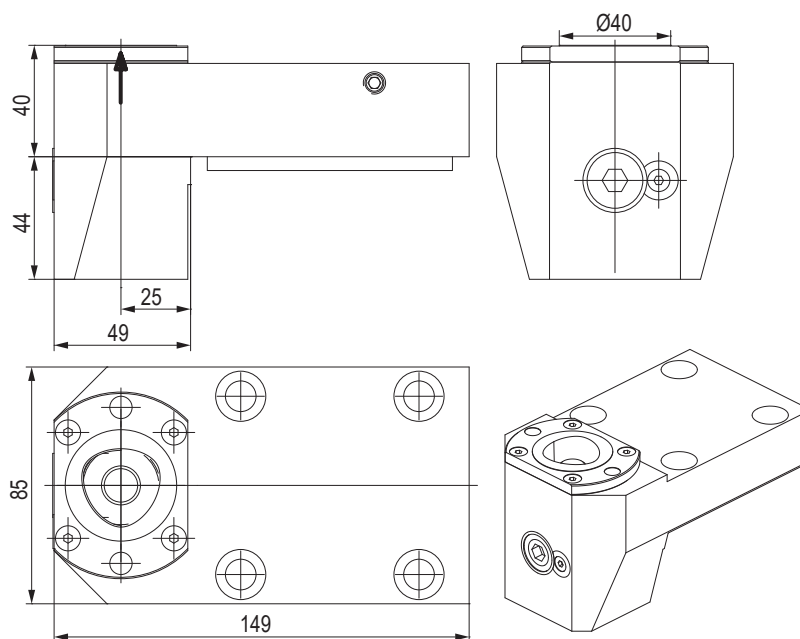
CODE N.	COOLANT BALL	SCREW FOR BALL	COVER	CODE N.
128-21522	833-001470	811-108018	832-003216	811-101017



PORTAUTENSILE CON USCITA POLIGONALE POLIGONAL TOOLHOLDERS



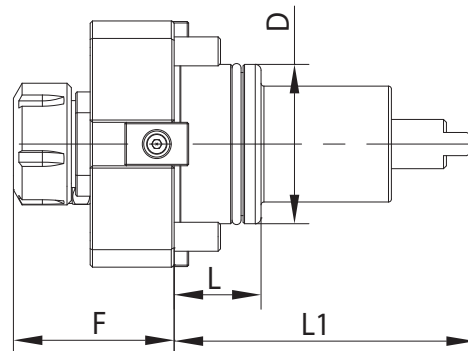
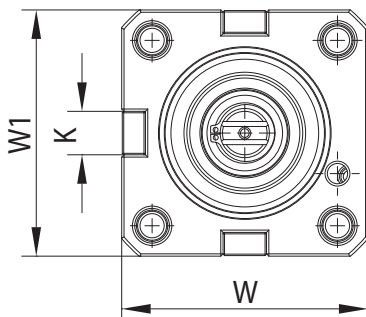
CODE N.	CAPTO	CLAMPING UNIT	KEY	SCREW FOR KEY
128-11564	C40	CXC40-10		
			814-203230	811-101016

PORTAUTENSILE CON USCITA POLIGONALE POLIGONAL TOOLHOLDERS



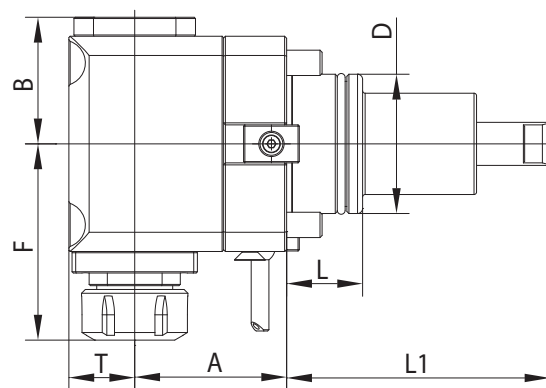
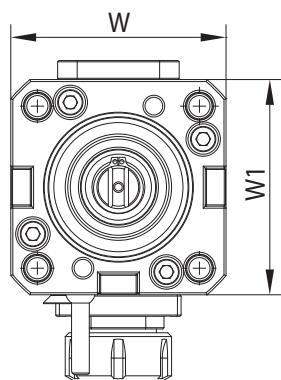
CODE N.	CAPTO	CLAMPING UNIT	KEY	SCREW FOR KEY
128-11565	C40	CXC40-10		
			814-203230	811-101016

PORTAUTENSILE MOTORIZZATO ASSIALE STRAIGHT DRILLING AND MILLING HEAD



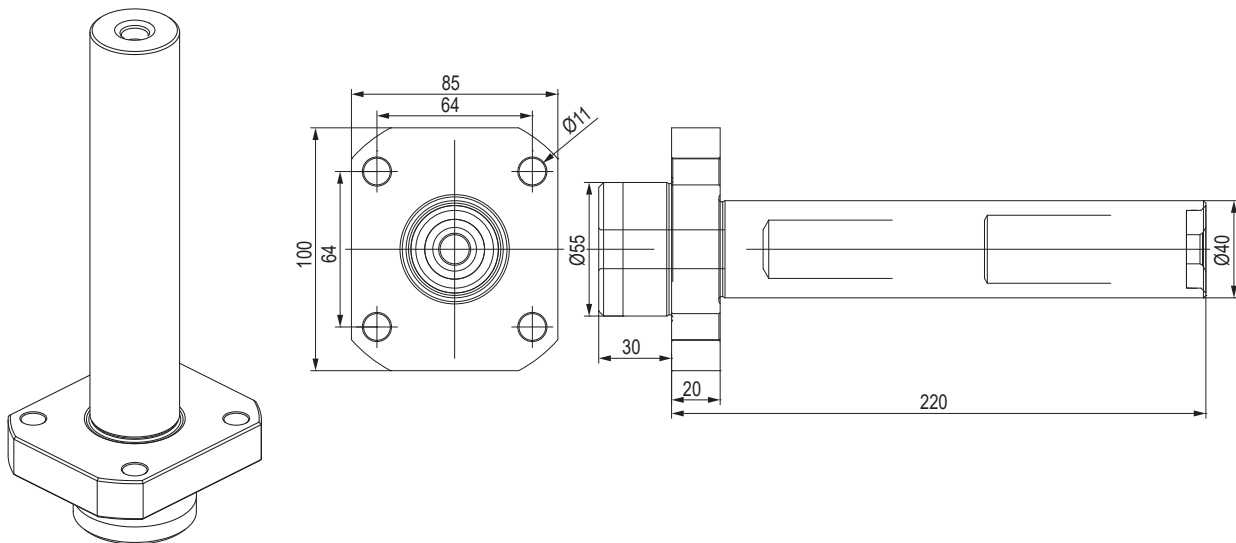
CODE N.	ER	D	F	K	L	L1	W	W1	MAX SPEED (Rpm)	I	MAX. TORQUE (Nm)	INTERNAL COOLING
124-05501	ER25	55	71	15	30	104	85	85	6000	1:1	50	no
124-06509	ER25	55	71	15	30	104	85	85	6000	1:1	50	yes

PORTAUTENSILE MOTORIZZATO RADIALE ANGULAR DRILLING AND MILLING HEAD



CODE N.	ER	D	A	B	F	L	L1	T	W	W1	MAX SPEED (Rpm)	I	MAX. TORQUE (Nm)	INTERNAL COOLING	P BAR
124-05502	ER25	55	70	57	86	30	104	26	85	85	6000	1:1	25	no	-
124-06510	ER25	55	70	57	86	30	104	26	85	85	6000	1:1	25	yes	20

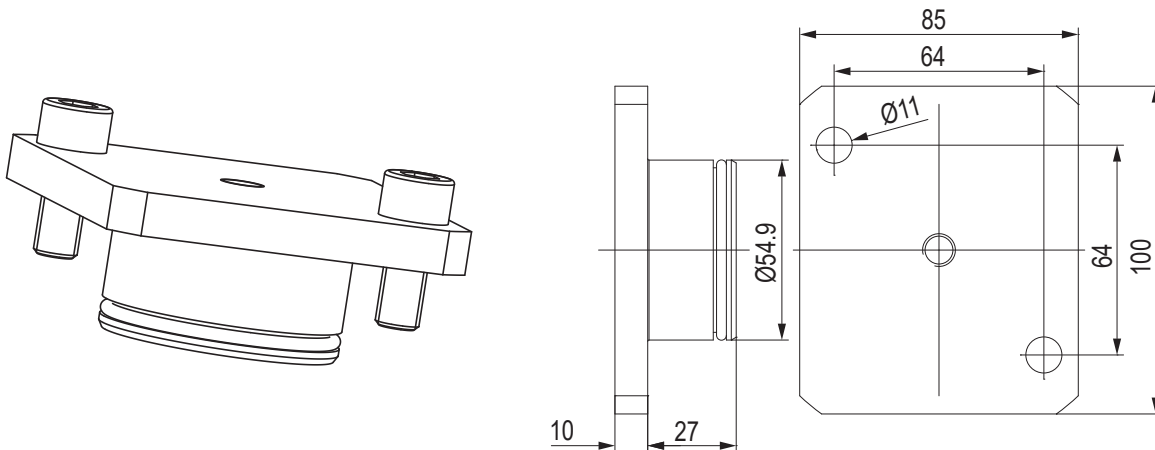
BARRA DI CONTROLLO - CONTROL PIN



CODE N.

137-00198

TAPPO DI PROTEZIONE - PROTECTION COVER



CODE N.

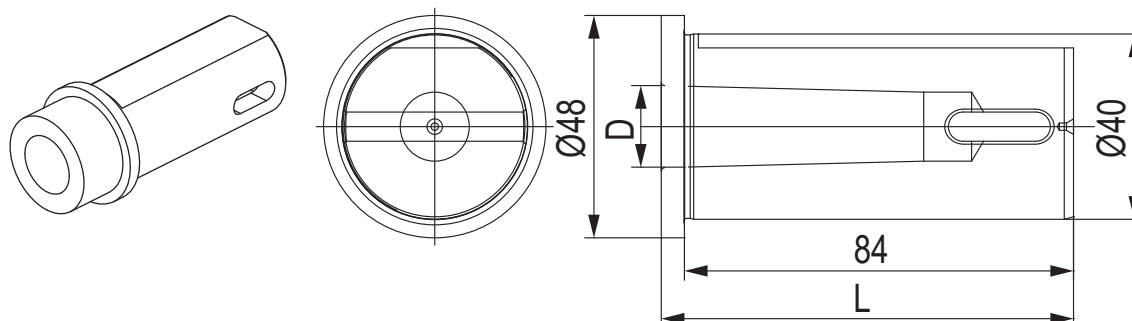
O RING



137-00253

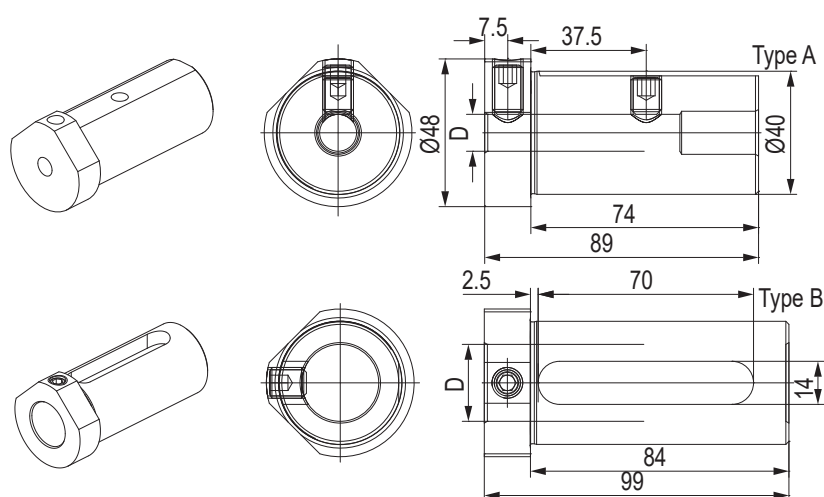
823-101064

BUSSOLA PER PORTABARENI DRILL SOCKET FOR TOOLHOLDER



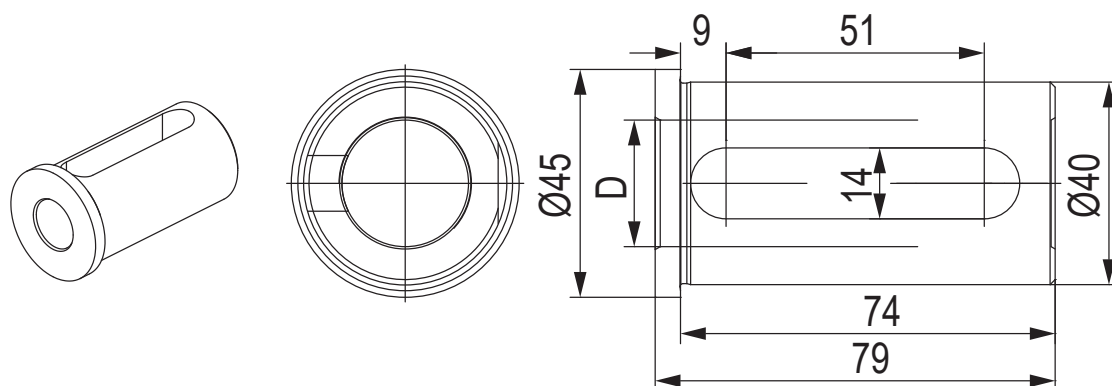
CODE N.	MORSE	D	L
114-34012	1	12,065	89
114-34013	2	17,780	89
114-34014	3	23,825	110

BUSSOLA PER PORTABARENI BORING BAR SLEEVE FOR TOOLHOLDER



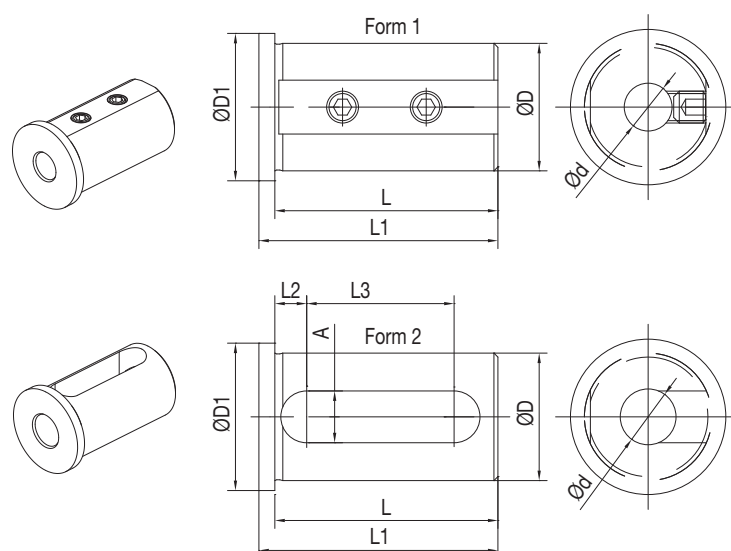
CODE N.	D	TYPE	SCREW1	SCREW2
165-64089	10	A	811-102037	811-102036
165-64090	12	A	811-102037	811-102036
165-64091	16	A	811-102037	811-102035
165-64092	20	B	811-102036	-
165-64093	25	B	811-102036	-
165-64094	32	B	811-102035	-

BUSSOLA PER PORTABARENI BORING BAR SLEEVE FOR TOOLHOLDER



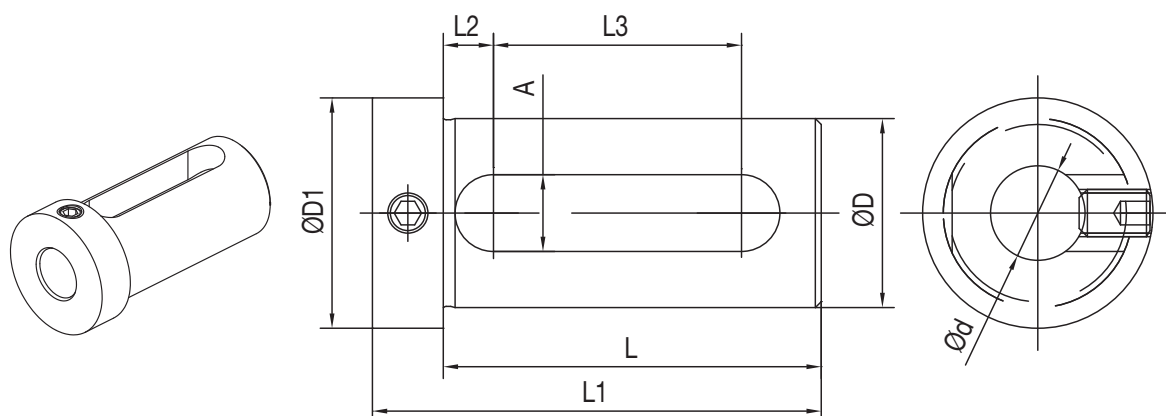
CODE N.	D
165-64095	20
165-64096	25
165-64097	32

BUSSOLA PER PORTABARENI BORING BAR SLEEVE FOR TOOLHOLDER



CODE N.	D	d	FORM	L	L1	L2	L3	A	D1
165-64247	40	8	1	71	75	-	-	-	45
165-64248	40	10	1	71	75	-	-	-	45
165-64249	40	12	1	71	75	-	-	-	45
165-64251	40	16	2	71	75	8	52	13	45
165-64253	40	20	2	71	75	8	52	13	45
165-64254	40	25	2	71	75	8	52	13	45
165-64255	40	32	2	71	75	8	52	13	45

BUSSOLA PER PORTABARENI BORING BAR SLEEVE FOR TOOLHOLDER



CODE N.	D	d	L	L1	L2	L3	A	D1
165-64241	40	16	74	88	9	51	14	48
165-64243	40	20	74	88	9	51	14	48
165-64244	40	25	74	88	9	51	14	48
165-64245	40	32	74	88	9	51	14	48



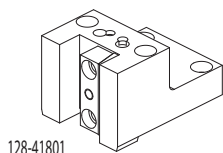
DOOSAN PUMA (BMT65)

PUMA 2100/2600 (M,LM,MS,LMS)
 PUMA 2100/2600 (Y,LY,SY,LSY)
 PUMA 300 (M,MS,MB,MC)
 PUMA 3100 (M,LM,LY,XLM,XLY,ULM,ULY)
 PUMA MX2000/2500
 PUMA MX2600 (T,ST)
 PUMA TT2500 (MS/SY)
 PUMA V400 (M)
 PUMA VT450 (M,2SP)
 PUMA TT2000

HWACHEON
 CUTEX-240
 HI-TECH200/T2-Series
 HI-TECH300/400
 VT-450

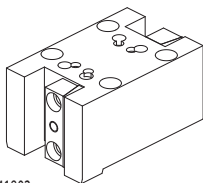
HYUNDAI WIA
 L2100SY
 SKT-200/250TTSY
 SKT-250/300 (L,M)
 SKT-250/300 (MS)
 L300M / MS
 LM 2000 / 2500 TTM
 2500 TTMS / 2500 TTSY

MAXSIN
 BMT65
SMC/SAMSUNG
 SL25 / SL35
 PL 20/25M - PL 35LM - PL 2000/2500Y
TONGTAI
 TMT2000
VICTOR
 VTURN-A26 (YSCM)
HAAS
 ST-20 - ST-25 - ST-30
 ST-35 - DS-30Y
 ST-20Y - ST-25Y - ST-30Y - ST-35Y



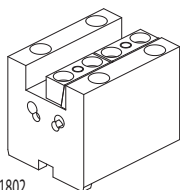
128-41801

Face and O.D. cutting holder



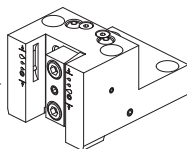
128-41802

Face and O.D. cutting holder

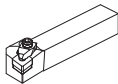


128-31802

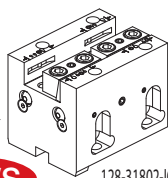
Face and O.D. cutting holder



128-41801-IC I.Coolant



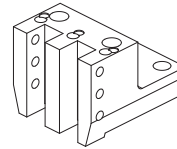
Qualified tool 25x25 mm



128-31802-IC

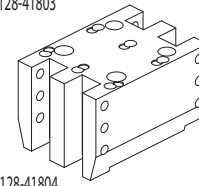
I.Coolant

Face and O.D. cutting holder



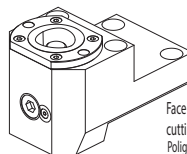
128-41803

Face and O.D. cutting holder



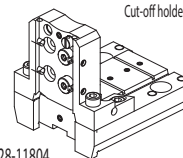
128-41804

Face and O.D. cutting holder Polygonal



128-11819 (C40)
128-11809 (C50)

Cut-off holder



128-11804

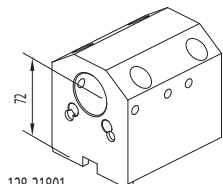
Cut-off tool



32 mm

NEWS

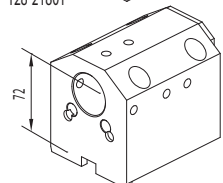
ACCESSORIES



128-21801

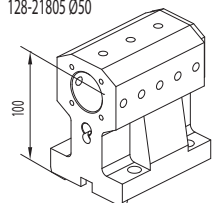
Toolholder for boring bar

Ø40 mm



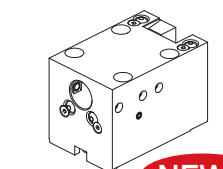
128-21802 Ø40
128-21805 Ø50

Combi toolholder for boring bar and insertdrill



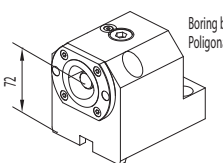
128-21803 Ø40
128-21806 Ø50

Combi toolholder for boring bar and insertdrill



128-11821 Ø32/25x25

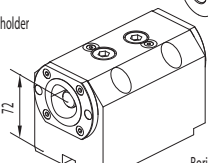
Combi toolholder



128-11817 (C40)
128-11805 (C50)

NEWS

Boring bar holder Polygonal



128-11818 (C40)
128-11807 (C50)

Boring bar holder double Polygonal

Drill socket D40

114-34012 <MT1>
114-34013 <MT2>
114-34014 <MT3>

Boring bar sleeve D40

165-64089 (Ø10)
165-64090 (Ø12)
165-64091 (Ø16)

Boring bar sleeve D40

165-64092 (Ø20)
165-64093 (Ø25)
165-64094 (Ø32)

Throw-away drill socket D40

165-64095 (Ø20)
165-64096 (Ø25)
165-64097 (Ø32)

Boring bar sleeve D40

165-64247 (Ø8)
165-64248 (Ø10)
165-64249 (Ø12)

Boring bar sleeve D40

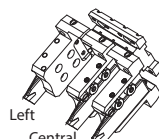
165-64251 (Ø16)
165-64253 (Ø20)
165-64254 (Ø25)
165-64255 (Ø32)

Boring bar sleeve D40

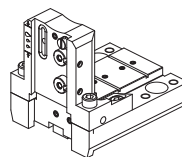
165-64241 (Ø16)
165-64243 (Ø20)
165-64244 (Ø25)
165-64245 (Ø32)

Boring bar sleeve D50

165-65017 (Ø25)
165-65018 (Ø32)
165-65019 (Ø40)



Driven tools



128-11804-IC I.Coolant



Control pin 137-00199



Protection cover 137-00254



124-06501
124-06508 I.Coolant

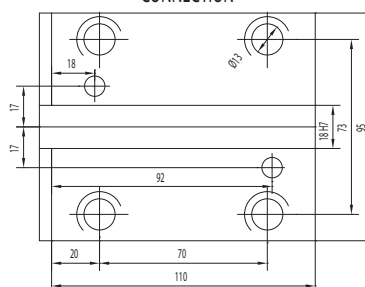


124-06502
124-06512 I.Coolant

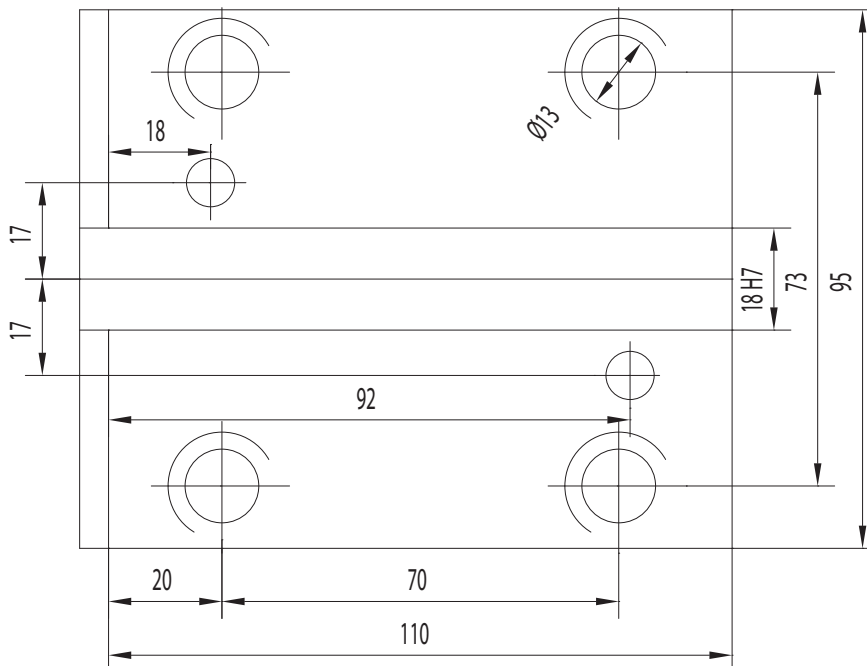
FAST-IN



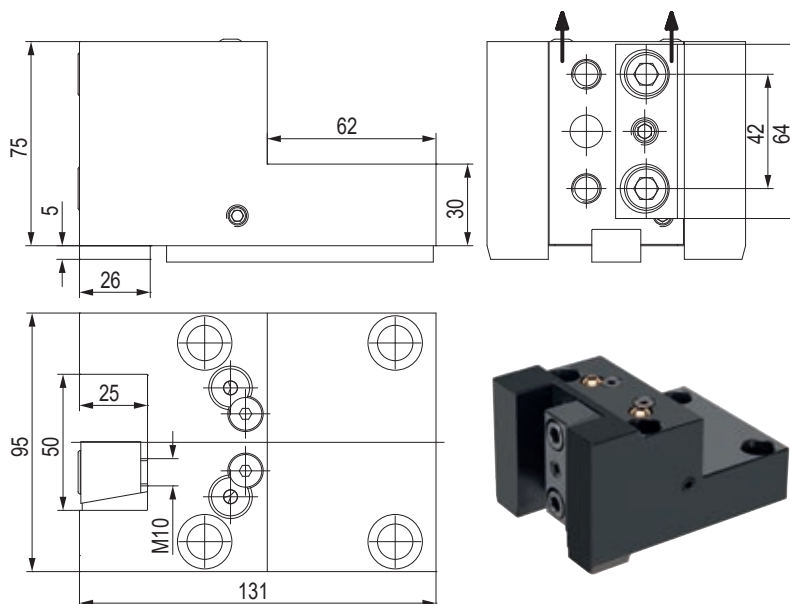
CONNECTION



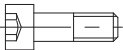




CONNECTION

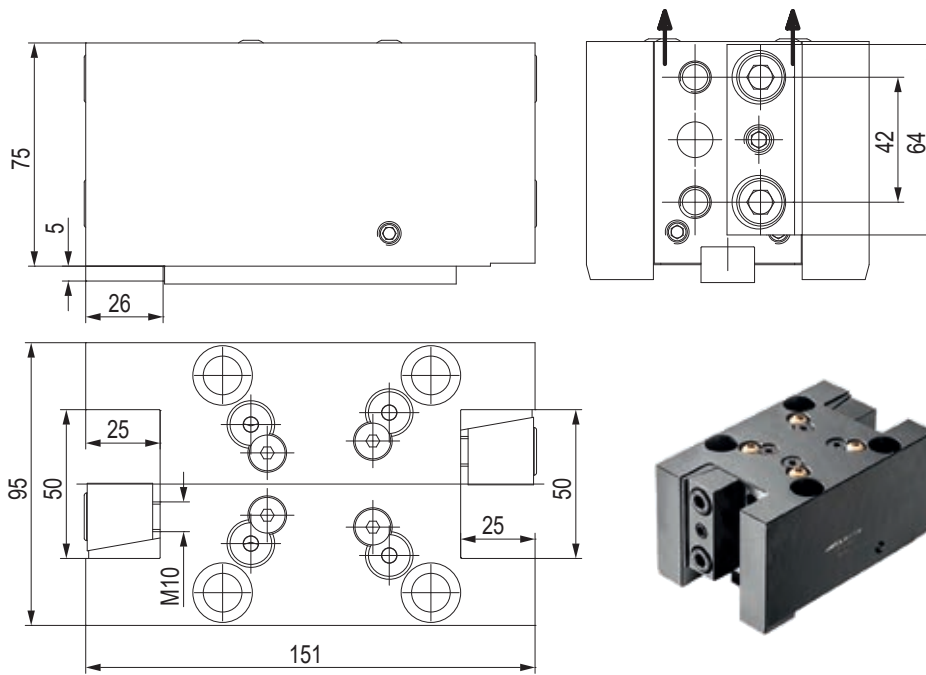


PORTAUTENSILE RADIALE - RADIAL TOOLHOLDERS



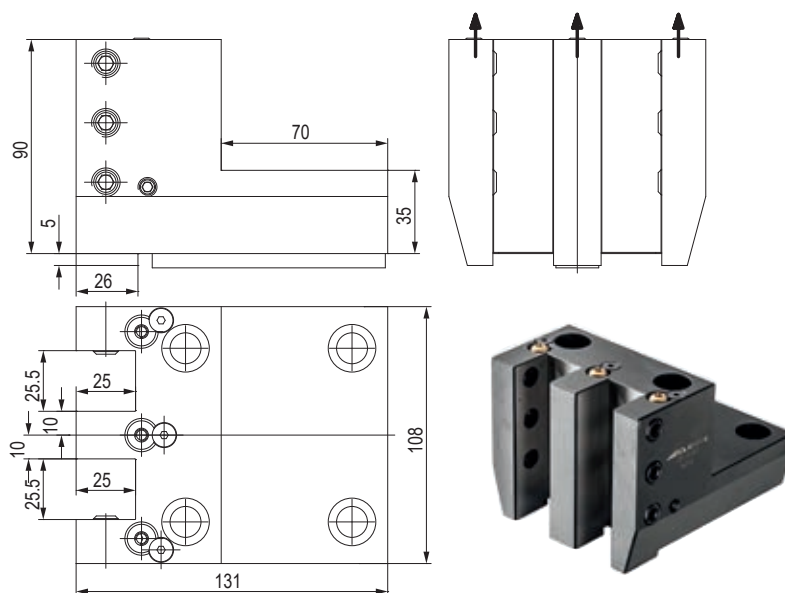
CODE N.	INTERNAL COOLANT	CLAMPING PLATE	KEY	SCREW FOR KEY	COOLANT BALL	SCREW FOR BALL
128-41801	NO					
128-41801-IC	YES	832-007360	814-203310	811-101027	833-001470	811-108018
		832-007360	814-203310	811-101027	833-001470	811-108018

PORTAUTENSILE RADIALE - RADIAL TOOLHOLDERS



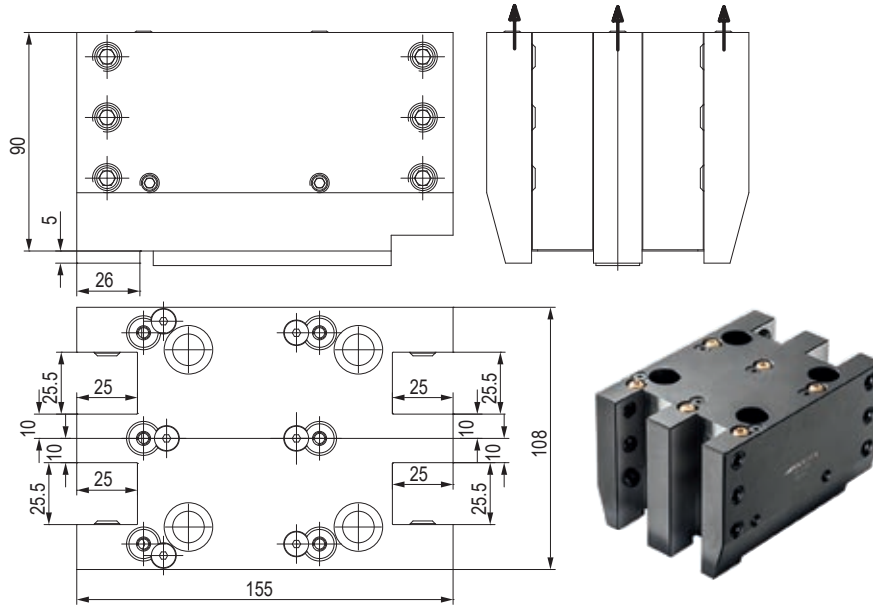
CODE N.	CLAMPING PLATE	KEY	SCREW FOR KEY	COOLANT BALL	SCREW FOR BALL
128-41802	832-007360	814-203310	811-101027	833-001470	811-108018

PORTAUTENSILE RADIALE - RADIAL TOOLHOLDERS



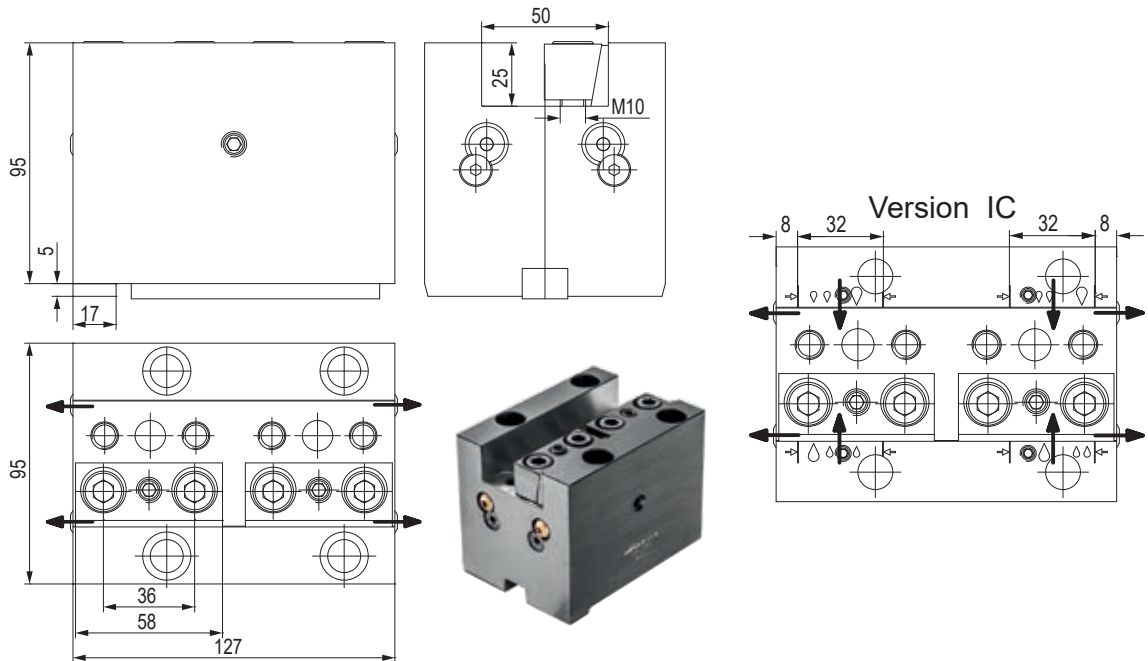
CODE N.	CLAMPING SCREW	KEY	SCREW FOR KEY	COOLANT BALL	SCREW FOR BALL
128-41803	811-102044	814-203310	811-101027	833-001410	811-108024

PORTAUTENSILE RADIALE - RADIAL TOOLHOLDERS



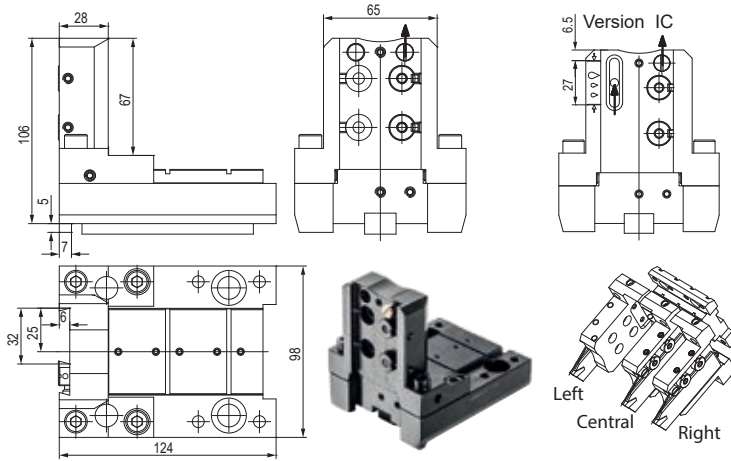
CODE N.	CLAMPING SCREW	KEY	SCREW FOR KEY	COOLANT BALL	SCREW FOR BALL
128-41804	811-102044	814-203310	811-101027	833-001410	811-108024

PORTAUTENSILE ASSIALE - AXIAL TOOLHOLDERS



CODE N.	INTERNAL COOLANT	CLAMPING PLATE	KEY	SCREW FOR KEY	COOLANT BALL	SCREW FOR BALL
128-31802	NO	832-007570	814-203310	811-101027	833-001470	811-108018
128-31802-IC	YES	832-007570	814-203310	811-101027	833-001470	811-108018

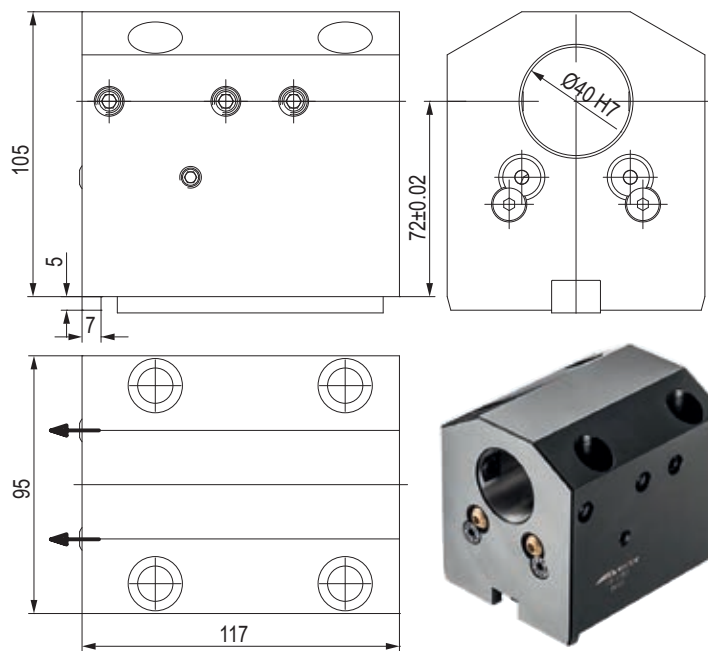
PORTALAMA - CUT-OFF HOLDERS



CODE N.	INTERNAL COOLANT	KEY	SCREW FOR KEY	COOLANT NOZZLE	O RING FOR COOLANT NOZZLE	O RING FOR INT. COOLANT	O RING FOR BODY
128-11804	NO	814-203310	811-101026	833-001490	823-101058	-	823-101061
128-11804-IC	YES	814-203310	811-101026	833-001490	823-101058	823-201140	823-101061

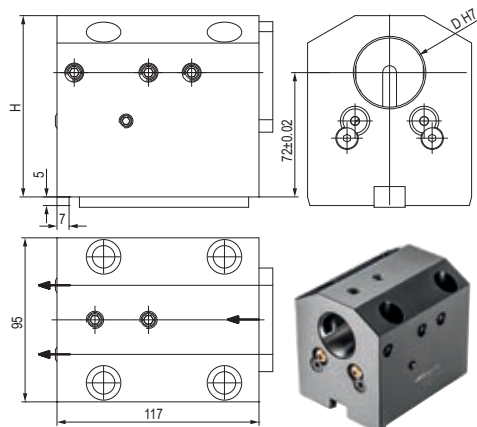
CODE N.	SHIM PLATE	SCREW FOR PLATE	CLAMPING PIN	SPRING	CLAMPING SCREW	SCREW
128-11804	832-014449	811-108037	832-014450	824-300012	811-101029	811-104013
128-11804-IC	832-014449	811-108037	832-014450	824-300012	811-101029	811-104013

PORTAUTENSILE PER BARENI - TOOLHOLDER FOR BORING BAR



CODE N.	CLAMPING SCREW	KEY	SCREW FOR KEY	COOLANT BALL	SCREW FOR BALL
128-21801	811-102039	814-203310	811-101027	833-001470	811-108018

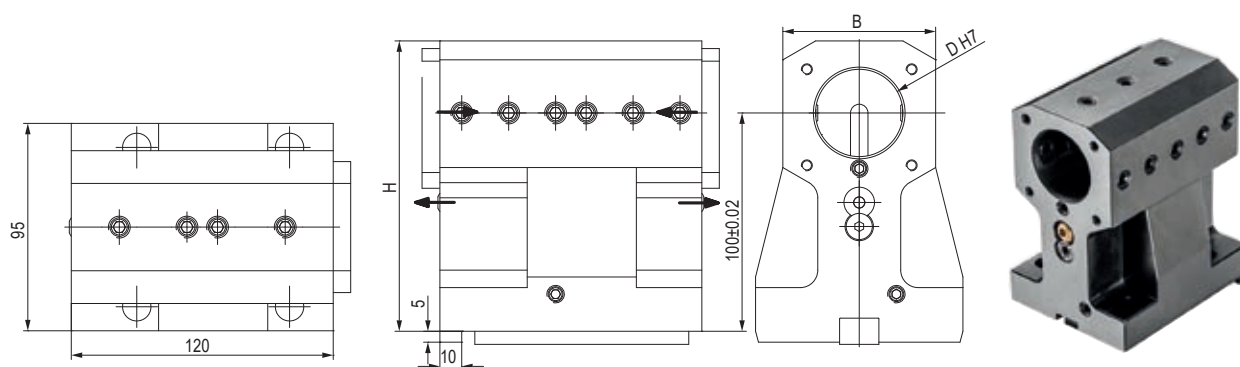
PORTAUTENSILE COMBINATO PER BARENI E PUNTE A INSERTI COMBI TOOLHOLDER FOR BORING BAR AND INSERTDRILL



CODE N.	D	H	CLAMPING SCREW1 (M10X25 D40) - (M12X20 D50)	CLAMPING SCREW2 (M10X12 D40) - (M12X12 D50)	KEY	SCREW FOR KEY
128-21802	40	105	811-102039	811-102036	814-203310	811-101027
128-21805	50	109	811-102044	811-102064	814-203310	811-101027

CODE N.	COOLANT BALL	SCREW FOR BALL	COVER	SCREW FOR COVER
128-21802	833-001470	811-108018	832-003363	811-101016
128-21805	833-001470	811-108018	832-003369	811-101016

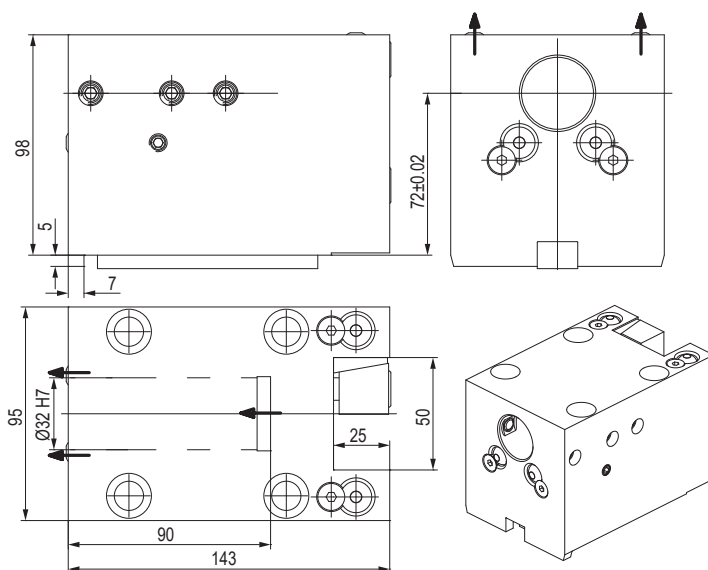
PORTAUTENSILE COMBINATO PER BARENI E PUNTE A INSERTI COMBI TOOLHOLDER FOR BORING BAR AND INSERTDRILL



CODE N.	D	H	B	CLAMPING SCREW1 (M10X16 D40) - (M12X16 D50)	CLAMPING SCREW2 (M10X12 D40) - (M12X12 D50)	KEY	SCREW FOR KEY
128-21803	40	133	70	811-102037	811-102036	814-203310	811-101027
128-21806	50	137	80	811-102043	811-102064	814-203310	811-101027

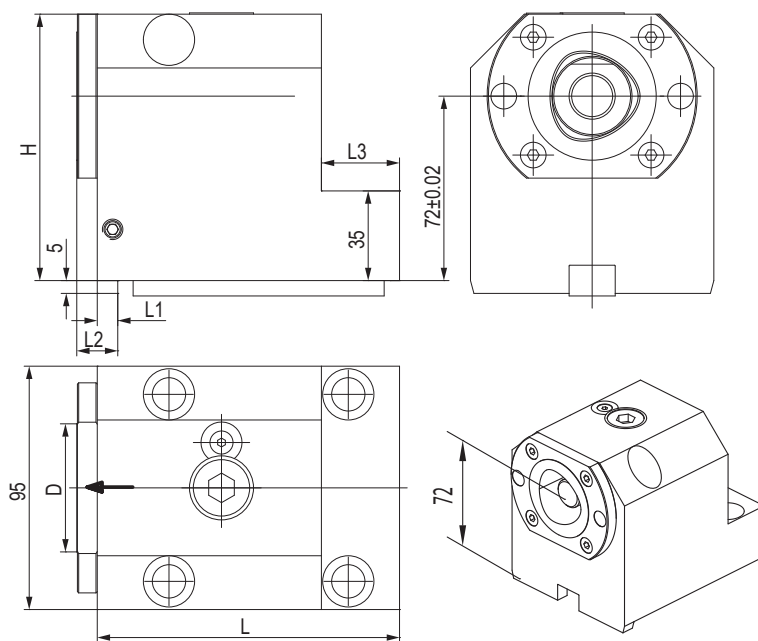
CODE N.	COOLANT BALL	SCREW FOR BALL	COVER	SCREW FOR COVER
128-21803	833-001470	811-108018	832-003363	811-101016
128-21806	833-001470	811-108018	832-003373	811-101016

PORTAUTENSILE COMBINATO PER BARENI E UTENSILI PER ESTERNI COMBI TOOLHOLDER FOR BORING BAR AND EXTERNAL TOOLS



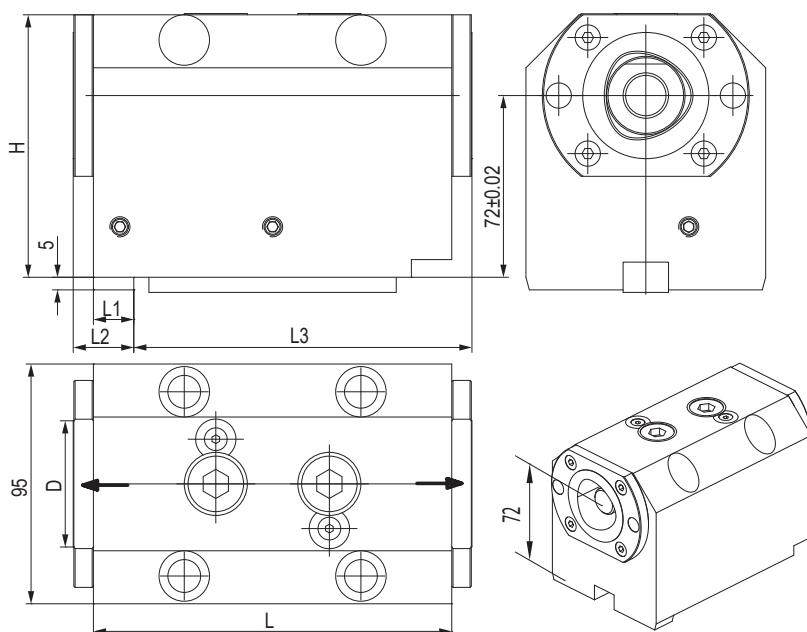
CODE N.	CLAMPING PLATE	CLAMPING SCREW COMP_2021-01	KEY COMP_2021-03	SCREW FOR KEY COMP_2021-04	COOLANT BALL COMP_2021-05	SCREW FOR BALL COMP_2021-06
128-11821	832-007360	811-102039	814-203310	811-101027	833-001470	811-108018

PORTAUTENSILE CON USCITA POLIGONALE POLIGONAL TOOLHOLDERS



CODE N.	CAPTO	D	H	L	L1	L2	L3	CLAMPING UNIT	KEY	SCREW FOR KEY
128-11817	C40	40	96	116	6	12	38	CXC40-10	814-203310	811-101027
128-11805	C50	50	104	118	8	16	30,5	CXC50-10	814-203310	811-101027

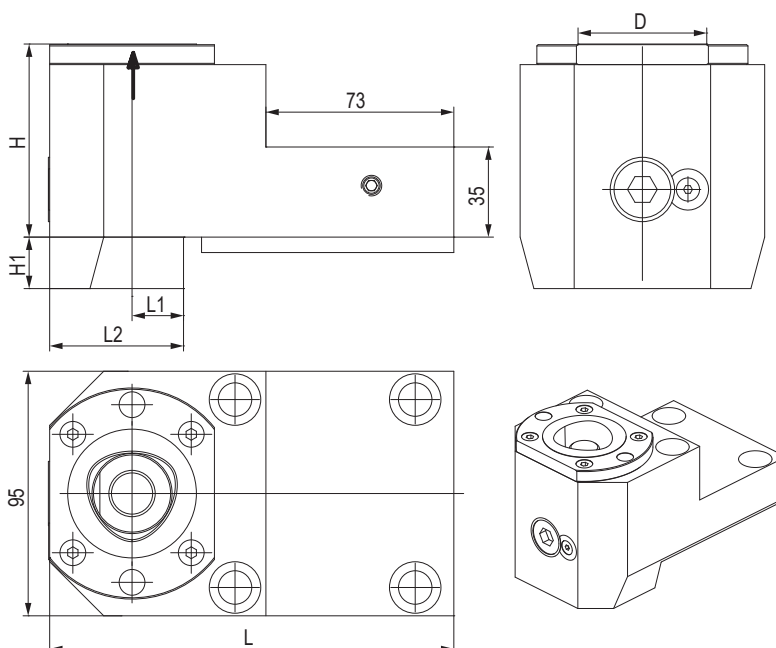
PORTAUTENSILE CON USCITA POLIGONALE POLIGONAL TOOLHOLDERS



CODE N.	CAPTO	D	H	L	L1	L2	L3	CLAMPING UNIT	KEY	SCREW FOR KEY
128-11818	C40	40	96	123	13	19	116	CXC40-10	814-203310	811-101027
128-11807	C50	50	104	142	16	24	134	CXC50-10	814-203310	811-101027



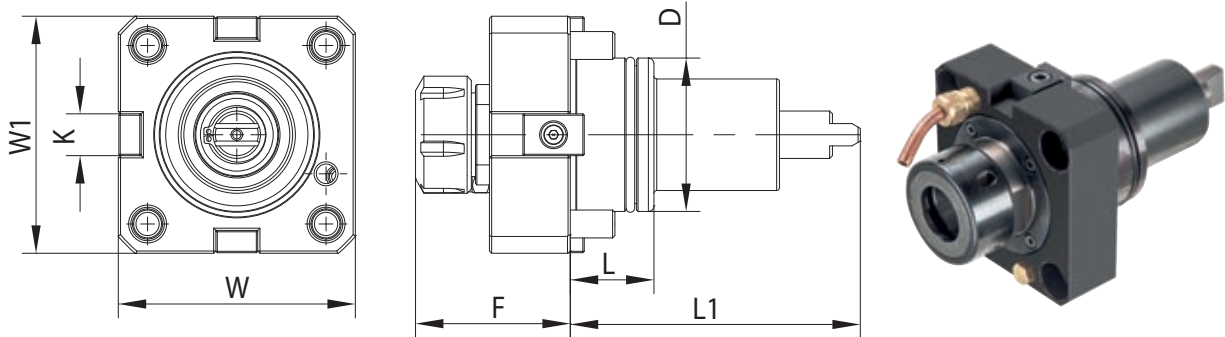
PORTAUTENSILE CON USCITA POLIGONALE POLIGONAL TOOLHOLDERS



CODE N.	CAPTO	D	H	H1	L	L1	L2	CLAMPING UNIT	KEY	SCREW FOR KEY
128-11819	C40	40	70	13	141	12	36	CXC40-10	814-203310	811-101027
128-11809	C50	50	75	20	157	20	52	CXC50-10	814-203310	811-101027

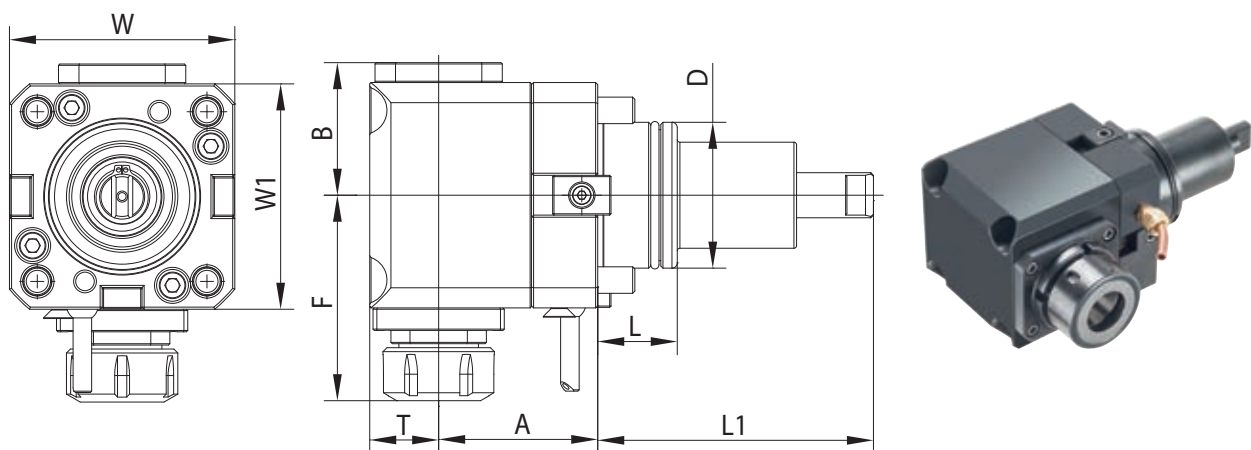


PORTAUTENSILE MOTORIZZATO ASSIALE STRAIGHT DRILLING AND MILLING HEAD



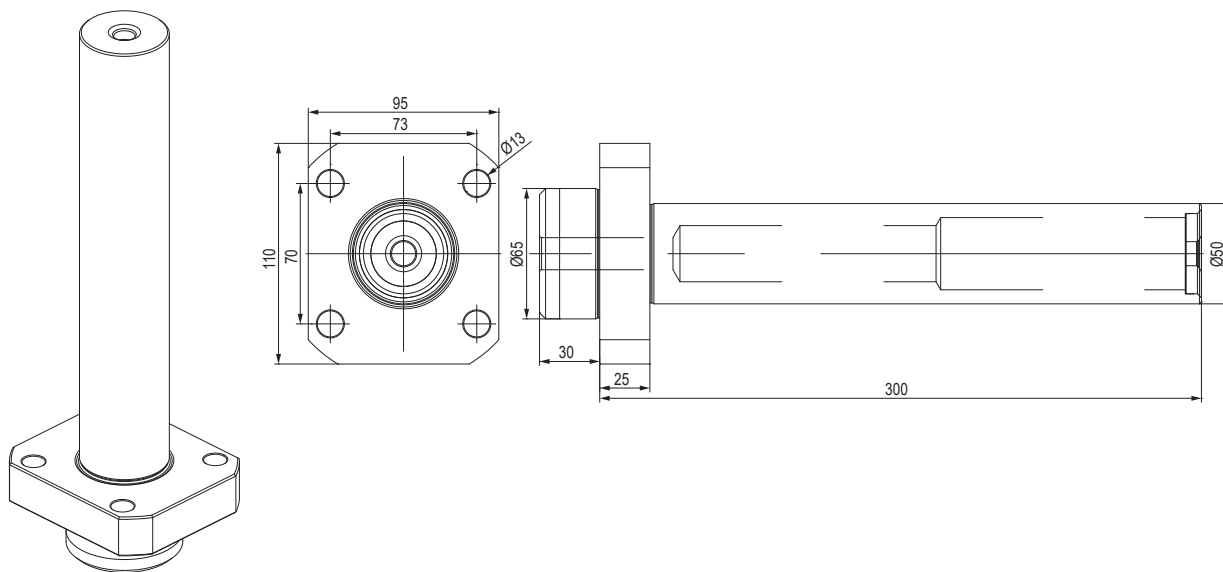
CODE N.	ER	D	F	K	L	L1	W	W1	MAX SPEED (Rpm)	I	MAX. TORQUE (Nm)	INTERNAL COOLING
124-06501	ER32	65	75	18	32	112	94	94	6000	1:1	70	no
124-06508	ER32	65	75	18	32	112	94	94	6000	1:1	70	yes

PORTAUTENSILE MOTORIZZATO RADIALE RADIAL DRILLING AND MILLING HEAD



CODE N.	ER	D	A	B	F	L	L1	T	W	W1	MAX SPEED (Rpm)	I	MAX. TORQUE (Nm)	INTERNAL COOLING	P BAR
124-06502	ER32	65	72	59	110	32	112	36	94	94	6000	1:1	40	no	-
124-06512	ER32	65	72	59	110	32	110	38	94	94	6000	1:1	40	yes	20

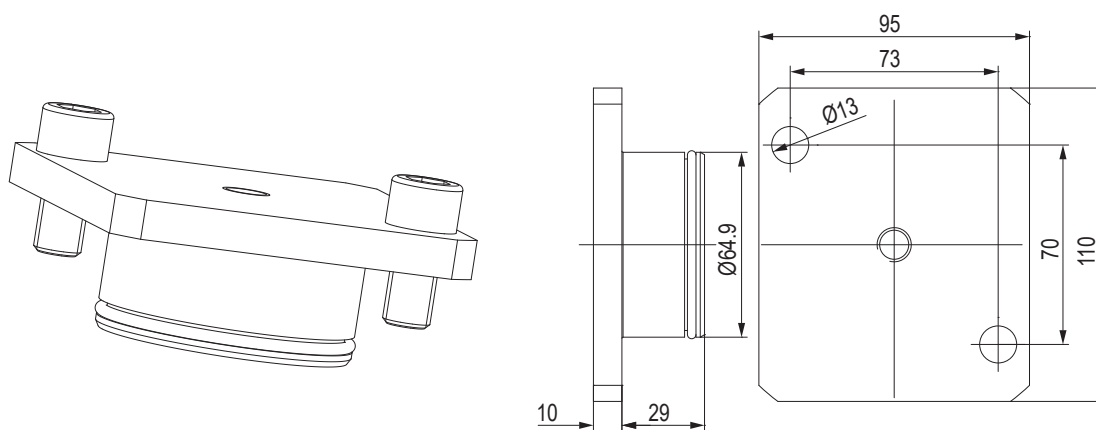
BARRA DI CONTROLLO - CONTROL PIN



CODE N.

137-00199

TAPPO DI PROTEZIONE - PROTECTION COVER



CODE N.

O RING



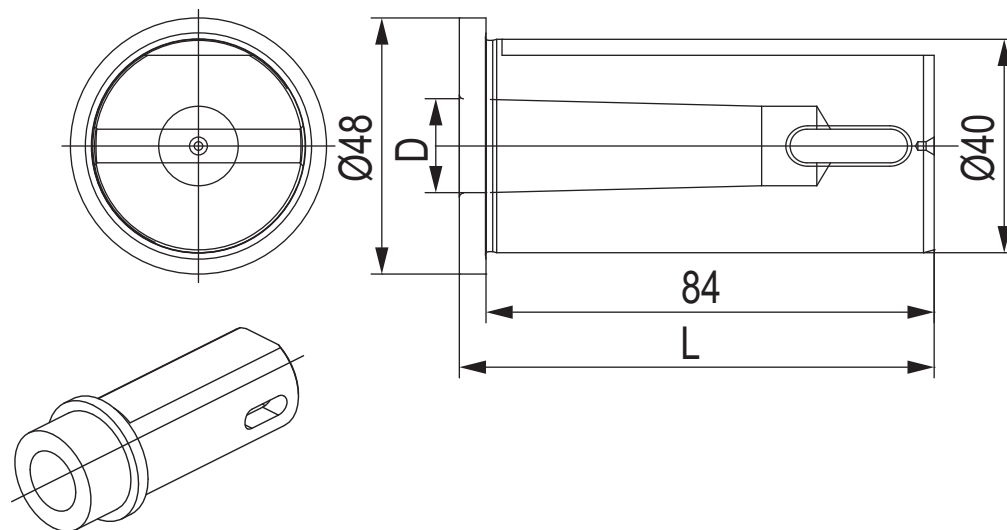
137-00254

823-101084

12

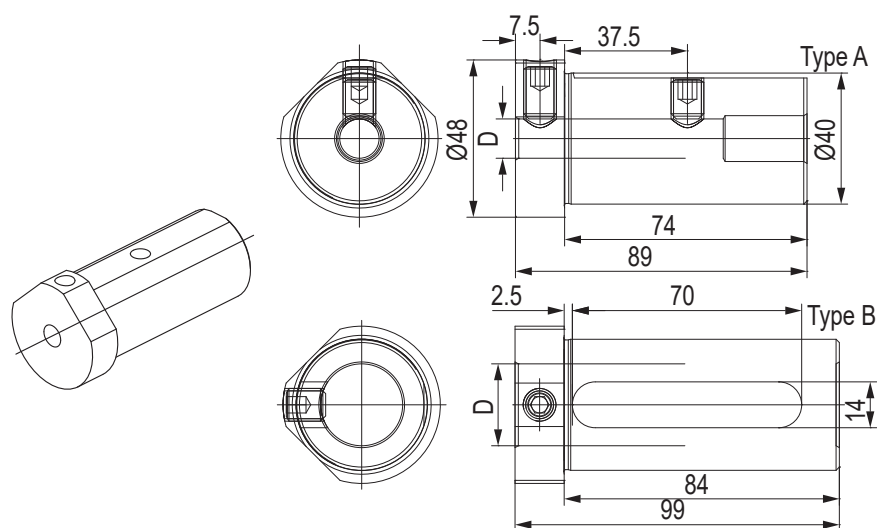
KINTEK®

BUSSOLA PER PORTABARENO DRILL SOCKET FOR TOOLHOLDER



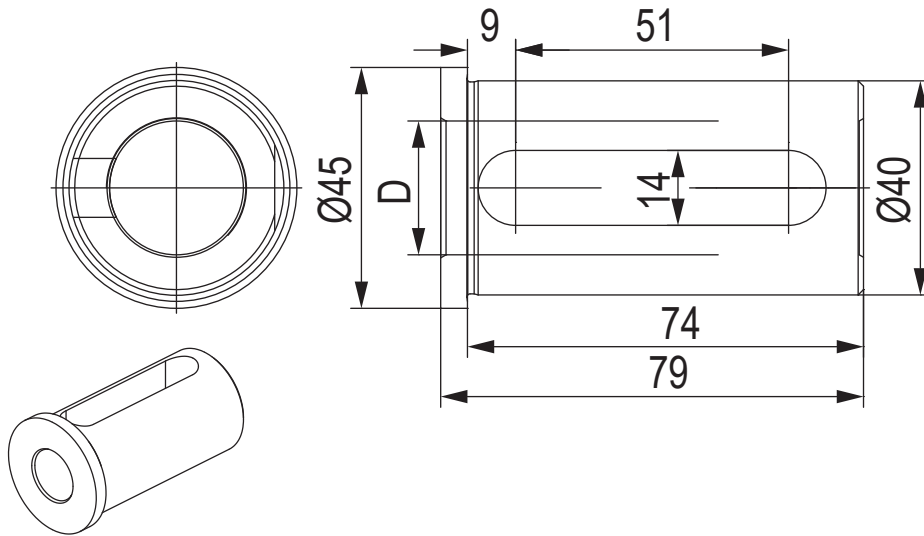
CODE N.	MORSE	D	L
114-34012	1	12,065	89
114-34013	2	17,780	89
114-34014	3	23,825	110

BUSSOLA PER PORTABARENO DRILL SOCKET FOR TOOLHOLDER



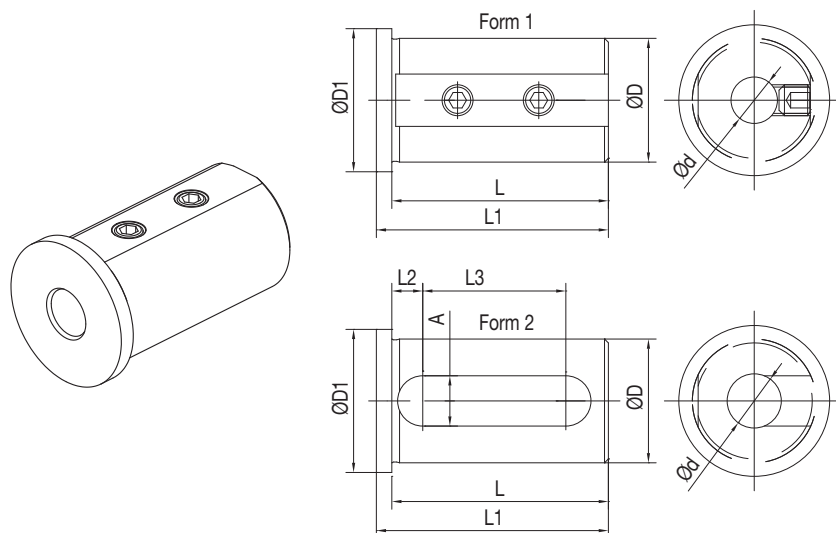
CODE N.	D	TYPE	SCREW1	SCREW2
165-64089	10	A	811-102037	811-102036
165-64090	12	A	811-102037	811-102036
165-64091	16	A	811-102037	811-102035
165-64092	20	B	811-102036	-
165-64093	25	B	811-102036	-
165-64094	32	B	811-102035	-

BUSSOLA PER PORTABARENO DRILL SOCKET FOR TOOLHOLDER



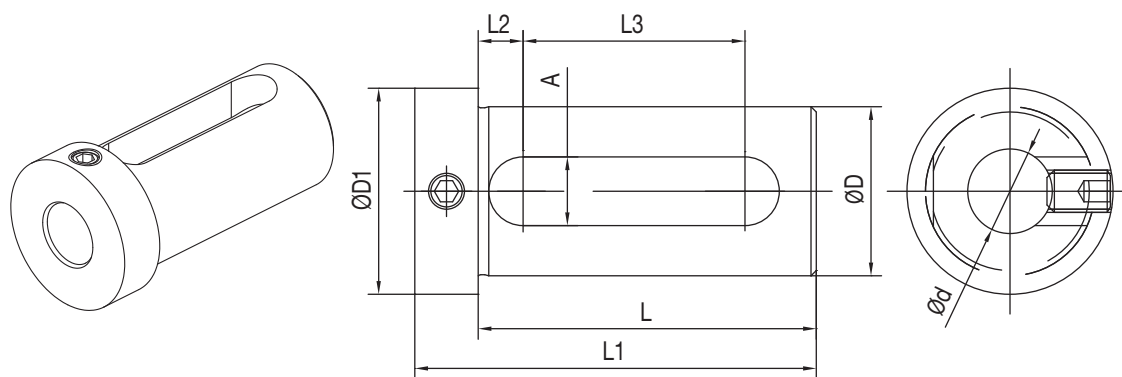
CODE N.	D
165-64095	20
165-64096	25
165-64097	32

BUSSOLA PER PORTABARENO BORING BAR SLEEVE FOR TOOLHOLDER



CODE N.	D	D	FORM	L	L1	L2	L3	A	D1
165-64247	40	8	1	71	75	-	-	-	45
165-64248	40	10	1	71	75	-	-	-	45
165-64249	40	12	1	71	75	-	-	-	45
165-64251	40	16	2	71	75	8	52	13	45
165-64253	40	20	2	71	75	8	52	13	45
165-64254	40	25	2	71	75	8	52	13	45
165-64255	40	32	2	71	75	8	52	13	45

BUSSOLA PER PORTABARENI BORING BAR SLEEVE FOR TOOLHOLDER



CODE N.	D	D	L	L1	L2	L3	A	D1
165-64241	40	16	74	88	9	51	14	48
165-64243	40	20	74	88	9	51	14	48
165-64244	40	25	74	88	9	51	14	48
165-64245	40	32	74	88	9	51	14	48
165-65017	50	25	84	98	9	61	14	59
165-65018	50	32	84	98	9	61	14	59
165-65019	50	40	84	98	9	61	14	59

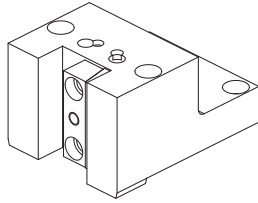


DOOSAN PUMA
(BMT75)

400/480 (M,LM,XML)
500 (M)
V550(M)
VT750 (TM, 2SP)

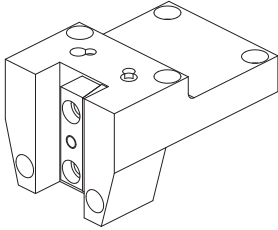
SAMSUNG
HYUNDAI WIA
HWACHEON

PL 45LM
LV800RM /SKT-V80R
RM / SKT400M / MA / MC / LMC
HI-TECH 550 / 700 / 7026
VT-550



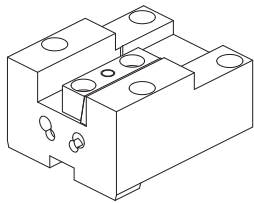
128-42508 25x25 mm
128-42516 32x32 mm

Face and O.D. cutting holder



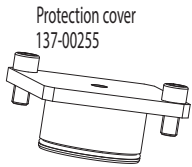
128-42509 25x25 mm
128-42510 32x32 mm

Face and O.D. cutting holder

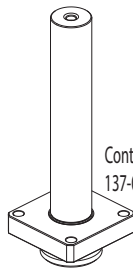


128-32506 25x25 mm

Face and O.D. cutting holder

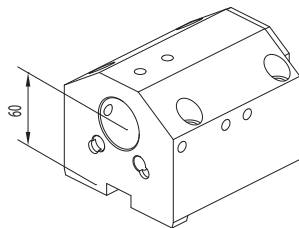


Protection cover
137-00255



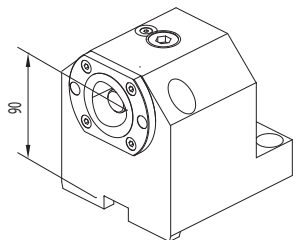
Control pin
137-00200

ACCESSORIES



128-22522 Ø40 mm
128-22523 Ø50 mm
128-22539 Ø60 mm

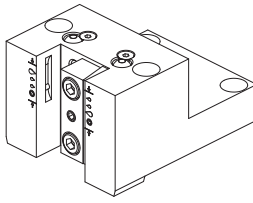
Combi tool holder for boring bar and insertdrill



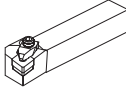
128-12515 (C50)
128-12528 (C63)

Boring bar holder Polygonal

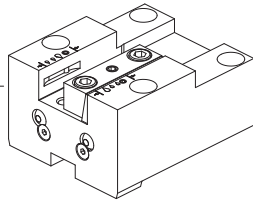
NEWS



128-42508-IC 25x25 mm I.Coolant

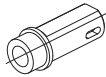


Qualified tool

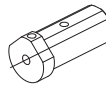


128-32506-IC 25x25 mm I.Coolant

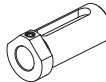
Drill socket D40



114-34012 <MT1>
114-34013 <MT2>
114-34014 <MT3>



Boring bar sleeve D40
165-64089 (Ø10)
165-64090 (Ø12)
165-64091 (Ø16)



Boring bar sleeve D40
165-64092 (Ø20)
165-64093 (Ø25)
165-64094 (Ø32)



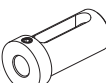
Throw-away drill socket D40
165-64095 (Ø20)
165-64096 (Ø25)
165-64097 (Ø32)



Boring bar sleeve D40
165-64247 (Ø8)
165-64248 (Ø10)
165-64249 (Ø12)



Boring bar sleeve D40
165-64251 (Ø16)
165-64253 (Ø20)
165-64254 (Ø25)
165-64255 (Ø32)

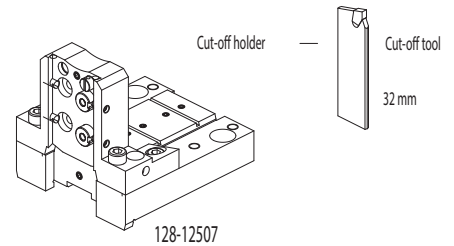
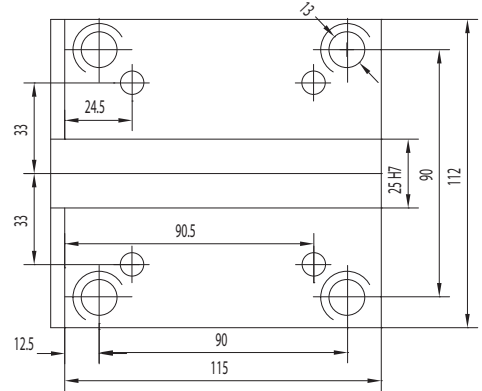


Boring bar sleeve D40
165-64241 (Ø16)
165-64243 (Ø20)
165-64244 (Ø25)
165-64245 (Ø32)

Boring bar sleeve D50
165-65017 (Ø25)
165-65018 (Ø32)
165-65019 (Ø40)

Boring bar sleeve D60
165-66056 (Ø25)
165-66057 (Ø32)
165-66058 (Ø40)
165-66059 (Ø50)

CONNECTION

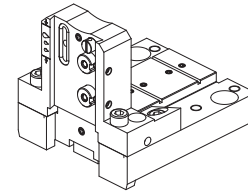


Cut-off holder

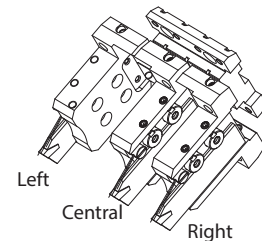
Cut-off tool

32 mm

128-12507



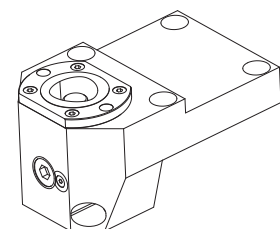
128-12507-IC I.Coolant



Left

Central

Right

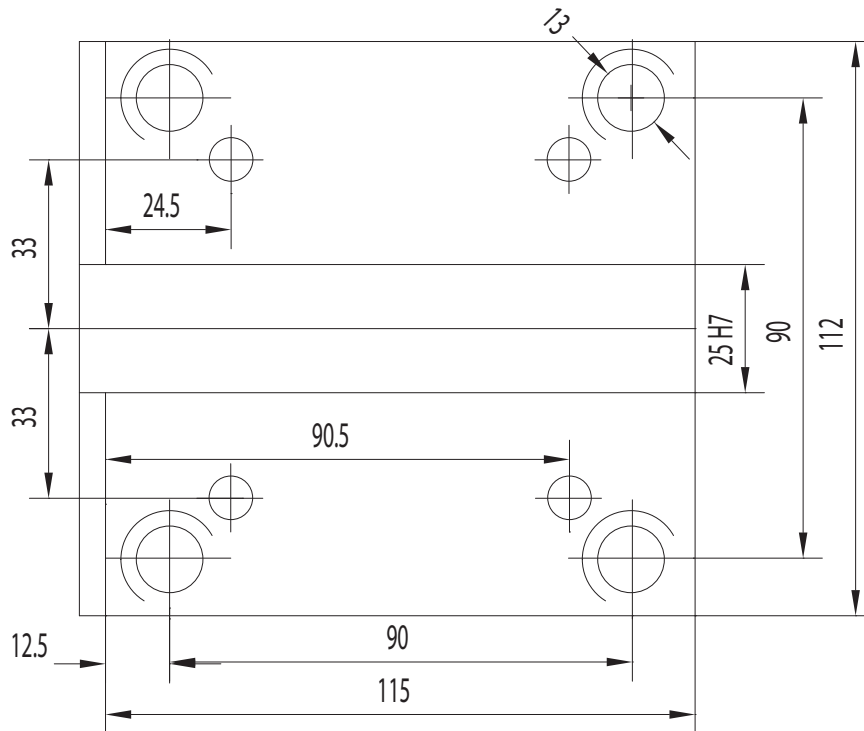


Face and O.D. cutting holder Polygonal

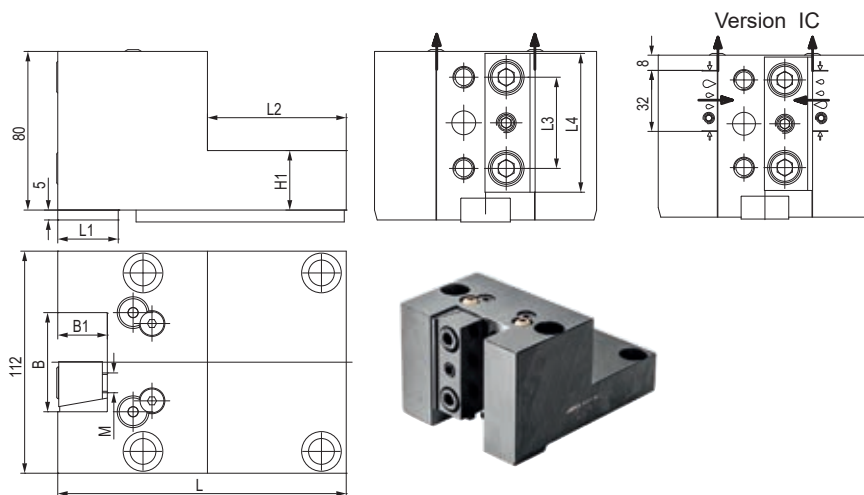
128-12517 (C50)
128-12529 (C63)

NEWS

CONNECTION



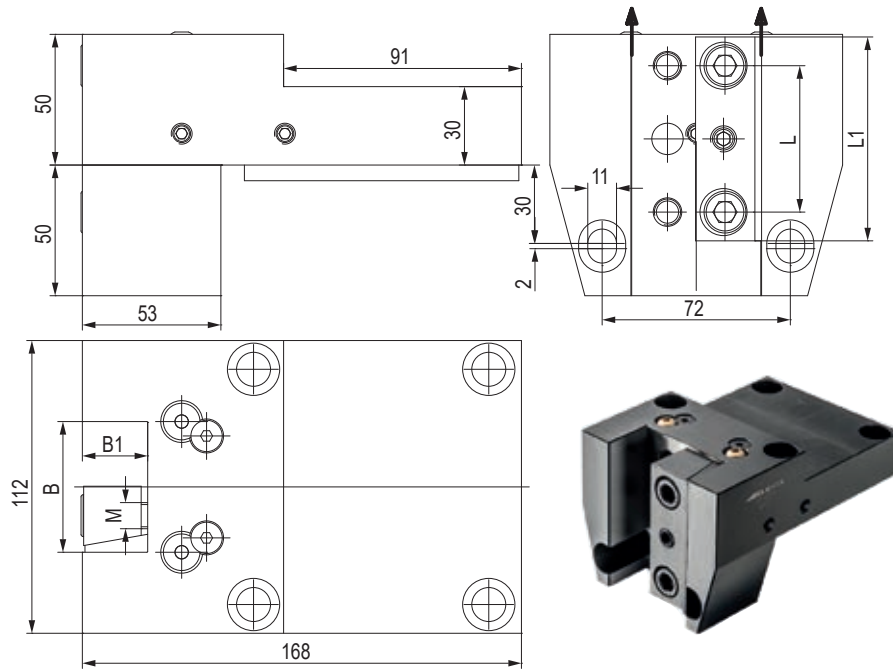
PORTAUTENSILE RADIALE - RADIAL TOOLHOLDERS



CODE N.	INTERNAL COOLANT	B	B1	H1	L	L1	L2	L3	L4	M
128-42508	NO	50	25	30	145.5	30.5	70	46	70	M10
128-42508-IC	YES	50	25	30	145.5	30.5	70	46	70	M10
128-42516	NO	64	32	45	152.5	35	80	52	76	M12

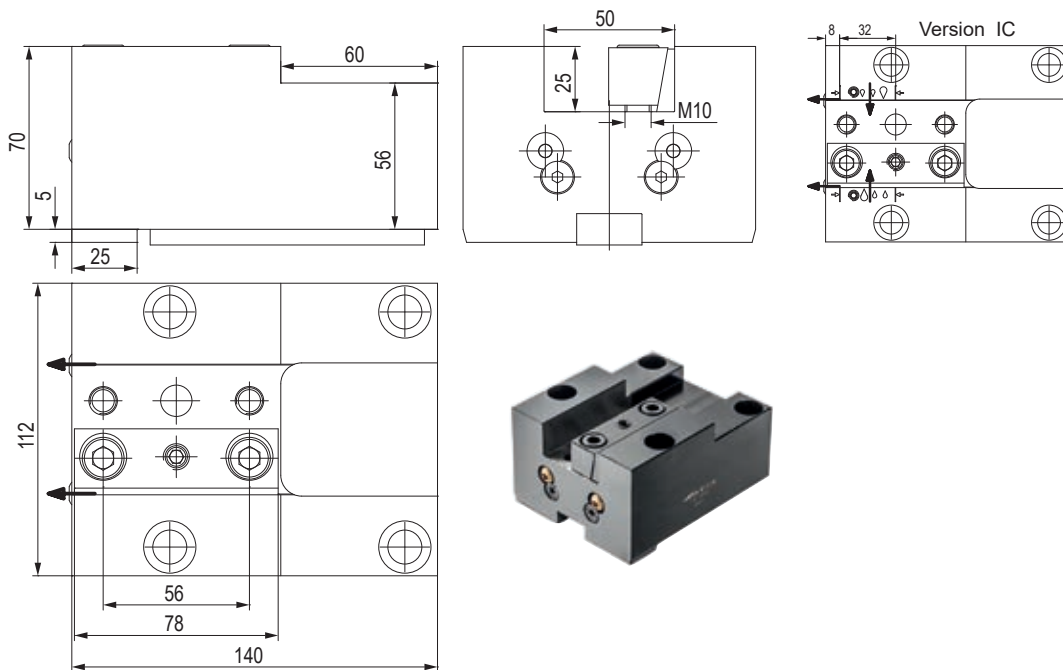
CODE N.	CLAMPING PLATE	KEY	SCREW FOR KEY	COOLANT BALL	SCREW FOR BALL
128-42508	832-007010	814-203480	811-101027	833-001470	811-108018
128-42508-IC	832-007010	814-203480	811-101027	833-001470	811-108018
128-42516	832-007970	814-203480	811-101027	833-001470	811-108018

PORTAUTENSILE RADIALE - RADIAL TOOLHOLDERS



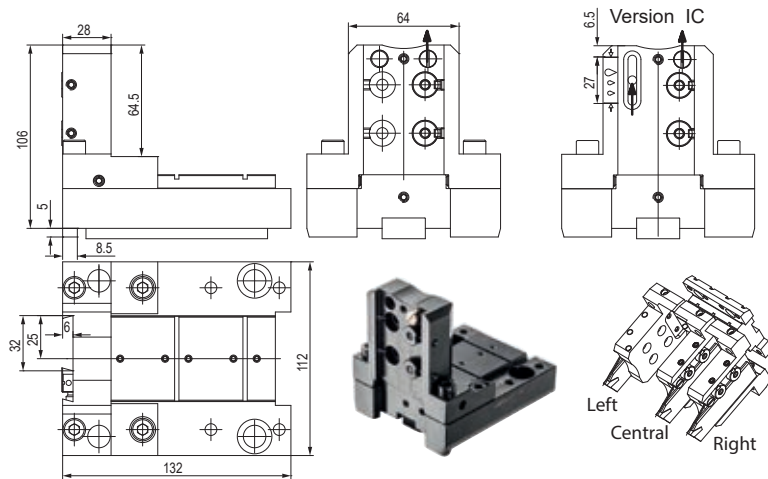
CODE N.	B	B1	L	L1	M	CLAMPING PLATE	KEY	SCREW FOR KEY	COOLANT BALL	SCREW FOR BALL
128-42509	50	25	56	78	M10					
128-42510	64	32	60	88	M12					

PORTAUTENSILE ASSIALE - AXIAL TOOLHOLDERS



CODE N.	INTERNAL COOLANT	CLAMPING PLATE	KEY	SCREW FOR KEY	COOLANT BALL	SCREW FOR BALL
128-32506	NO					
128-32506-IC	YES					

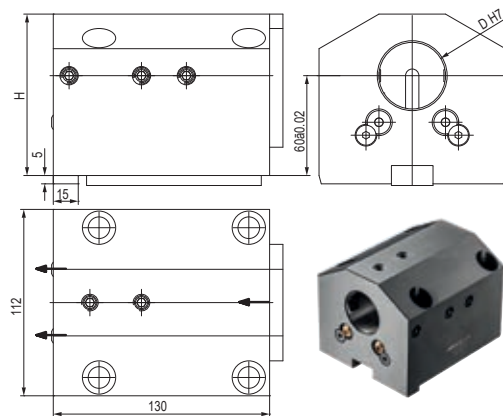
PORTALAMA - CUT-OFF TOOLHOLDERS



CODE N.	INTERNAL COOLANT	KEY	SCREW FOR KEY	COOLANT NOZZLE	O RING FOR COOLANT NOZZLE	O RING FOR INT. COOLANT	O RING FOR BODY
128-12507	NO	814-203480	811-101026	833-001490	823-101058	-	823-101061
128-12507-IC	YES	814-203480	811-101026	833-001490	823-101058	823-201140	823-101061

CODE N.	SHIM PLATE	SCREW FOR PLATE	CLAMPING PIN	SPRING	CLAMPING SCREW	SCREW
128-12507	832-014449	811-108037	832-014450	824-300012	811-101029	811-104013
128-12507-IC	832-014449	811-108037	832-014450	824-300012	811-101029	811-104013

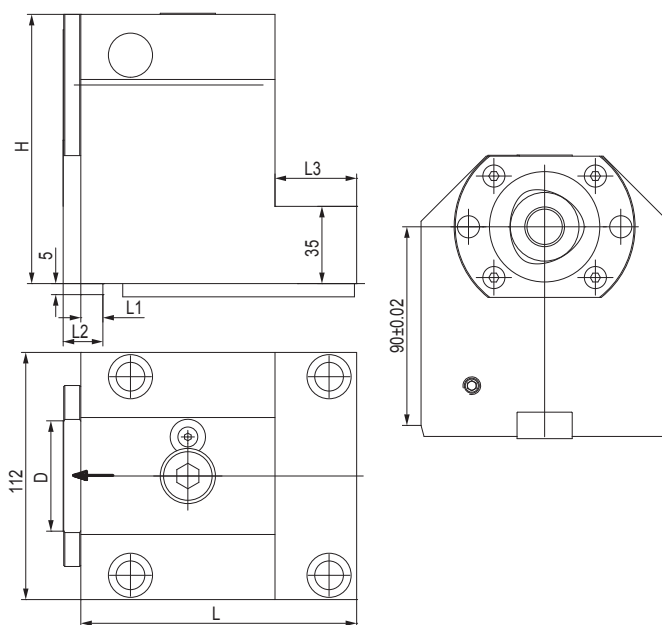
PORTAUTENSILE COMBINATO PER BARENI E PUNTE A INSERTI COMBI TOOLHOLDER FOR BORING BAR AND INSERT DRILL



CODE N.	D	H	CLAMPING SCREW1 (D40-M10X30) (D50-M12X30) (D60-M12X25)	CLAMPING SCREW2 (D40-M10X16) - (D50-M12X12)	KEY	SCREW FOR KEY
128-22522	40	97	811-102040	811-102037	814-203480	811-101027
128-22523	50	97	811-102046	811-102064	814-203480	811-101027
128-22539	60	102	811-102045	811-102064	814-203480	811-101027

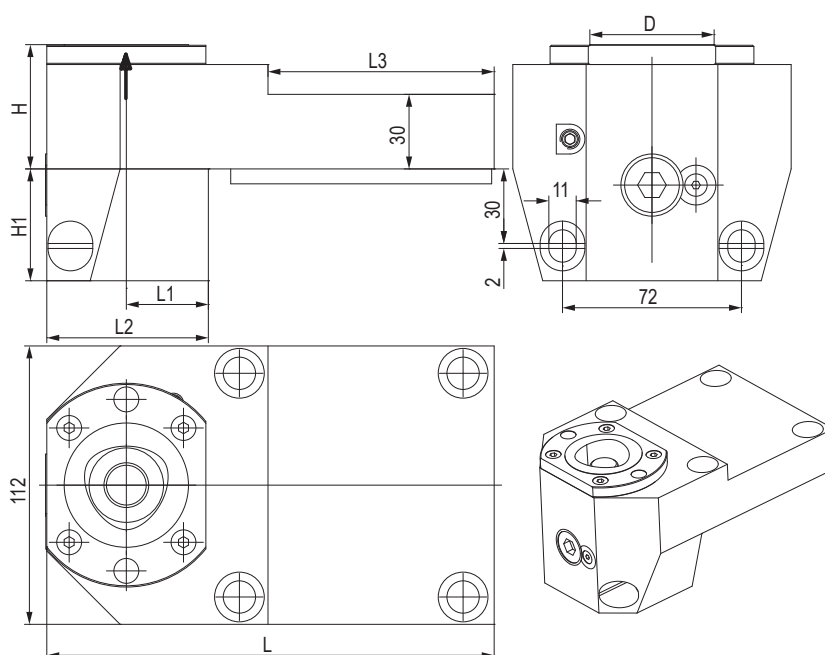
CODE N.	COOLANT BALL	SCREW FOR BALL	COVER	SCREW FOR COVER
128-22522	833-001470	811-108018	832-003369	811-101016
128-22523	833-001470	811-108018	832-003369	811-101016
128-22539	833-001470	811-108018	832-003385	811-101016

PORTAUTENSILE CON USCITA POLIGONALE POLIGONAL TOOLHOLDERS



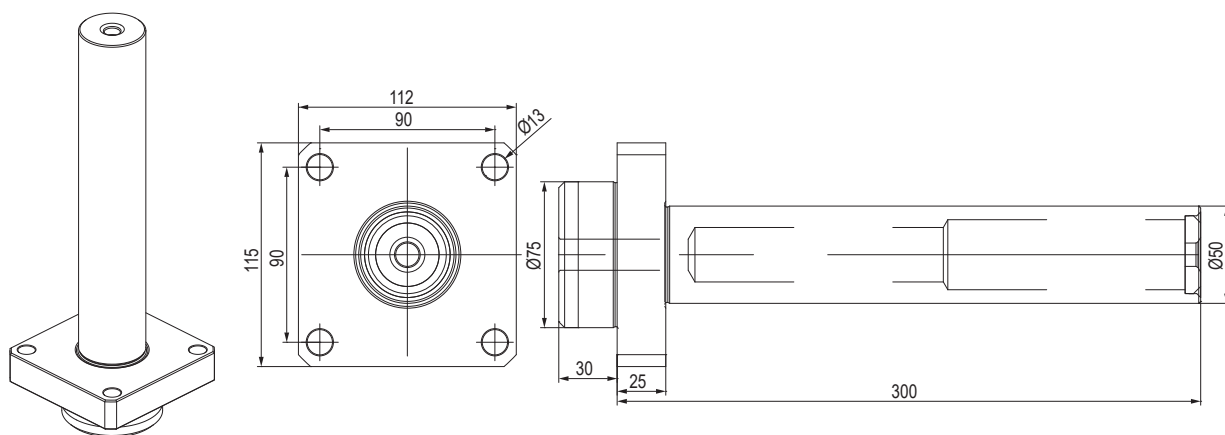
CODE N.	CAPTO	D	H	L	L1	L2	L3	CLAMPING UNIT	KEY	SCREW FOR KEY
128-12515	C50	50	92	125	10	18	37	CXC50-10	814-203480	811-101027
128-12528	C63	63	102	127	12	21	-	CXC63-10	814-203480	811-101027

PORTAUTENSILE CON USCITA POLIGONALE POLIGONAL TOOLHOLDERS



CODE N.	CAPTO	D	H	H1	L	L1	L2	L3	CLAMPING UNIT	KEY	SCREW FOR KEY
128-12517	C50	50	50	45	180	33	65	91	CXC50-10	814-203480	811-101027
128-12529	C63	63	45	57	204	47	89	120	CXC63-10	814-203480	811-101027

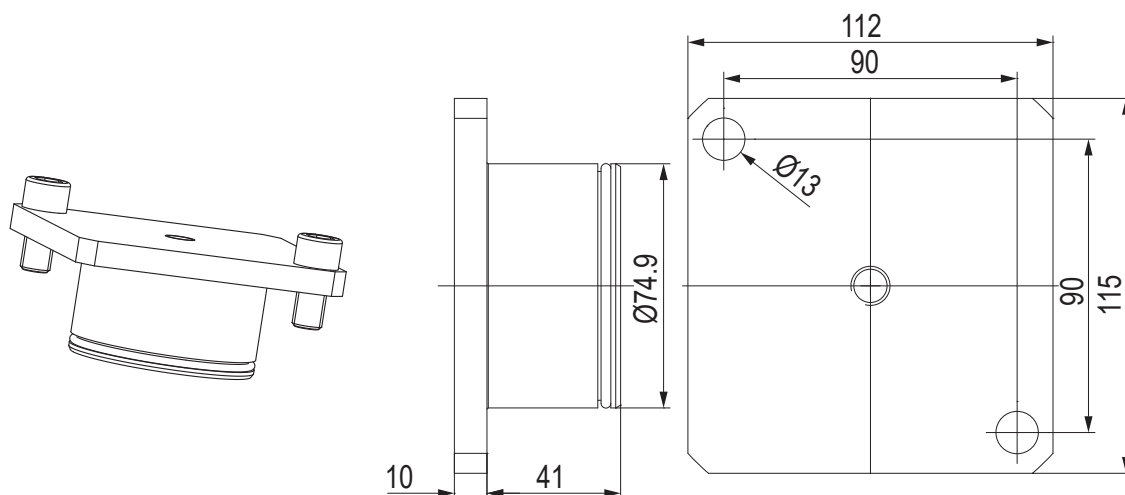
BARRA DI CONTROLLO - CONTROL PIN



CODE N.

137-00200

TAPPO DI PROTEZIONE - PROTECTION COVER



CODE N.

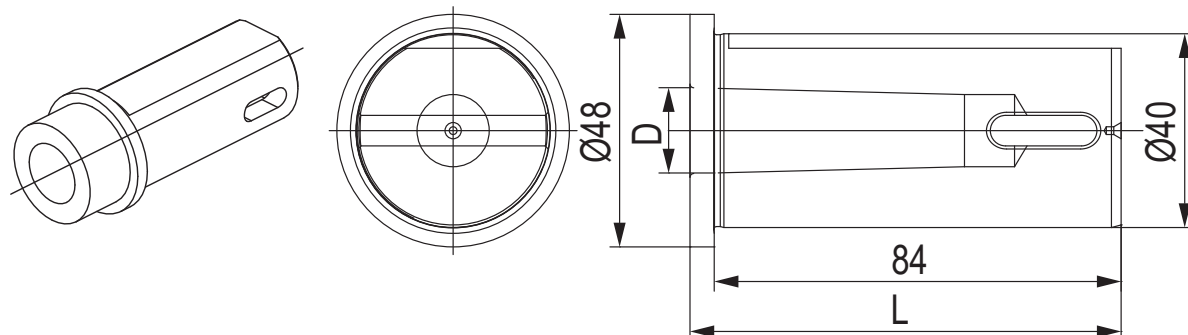
O RING



137-00255

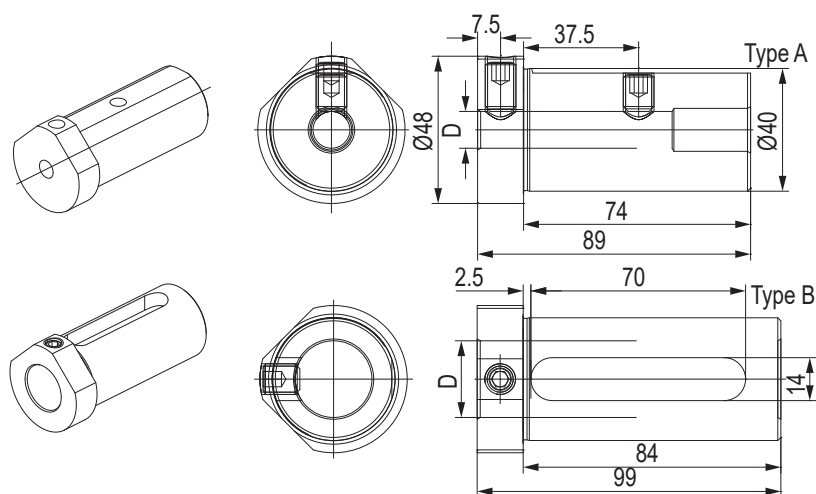
823-101115

BUSSOLA PER PORTABARENI DRILL SOCKET FOR TOOLHOLDER



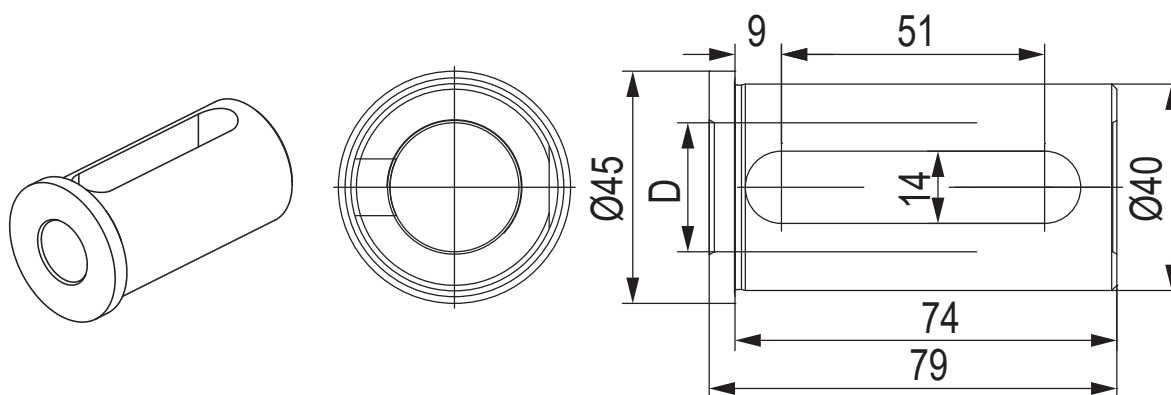
CODE N.	MORSE	D	L
114-34012	1	12,065	89
114-34013	2	17,780	89
114-34014	3	23,825	110

BUSSOLA PER PORTABARENI BORING BAR SLEEVE FOR TOOLHOLDER



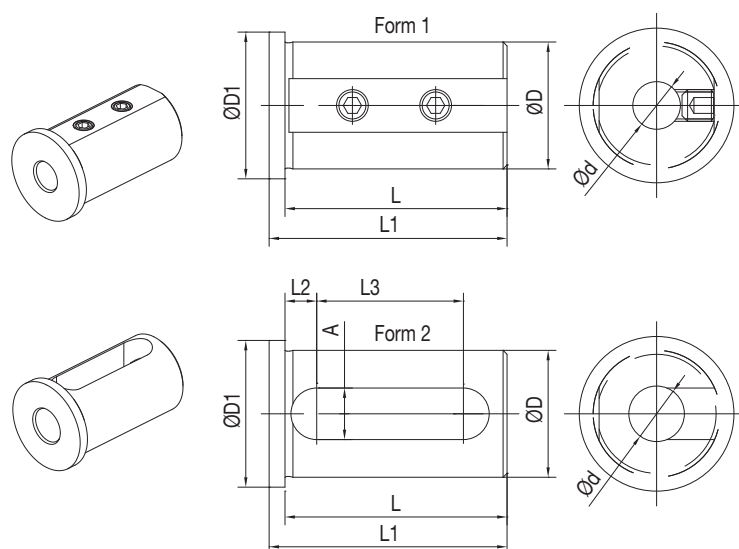
CODE N.	D	TYPE	SCREW1	SCREW2
165-64089	10	A	811-102037	811-102036
165-64090	12	A	811-102037	811-102036
165-64091	16	A	811-102037	811-102035
165-64092	20	B	811-102036	-
165-64093	25	B	811-102036	-
165-64094	32	B	811-102035	-

BUSSOLA PER PORTABARENI BORING BAR SLEEVE FOR TOOLHOLDER



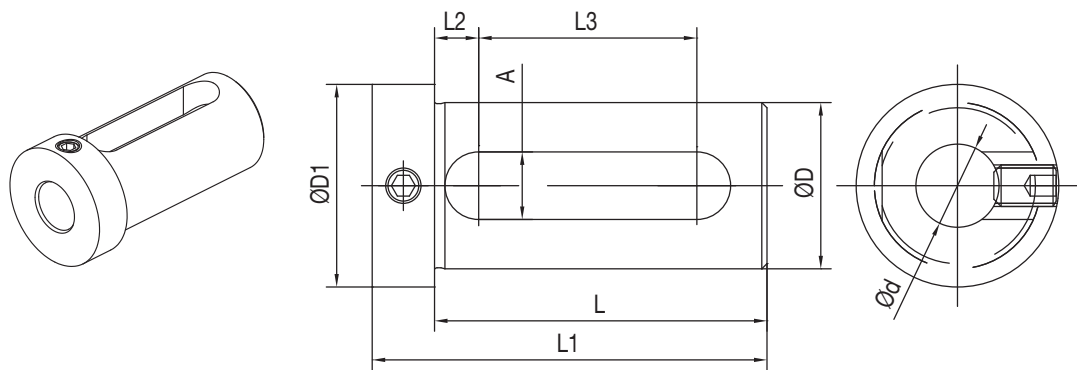
CODE N.	D
165-64095	20
165-64096	25
165-64097	32

BUSSOLA PER PORTABARENI BORING BAR SLEEVE FOR TOOLHOLDER



CODE N.	D	d	FORM	L	L1	L2	L3	A	D1
165-64247	40	8	1	71	75	-	-	-	45
165-64248	40	10	1	71	75	-	-	-	45
165-64249	40	12	1	71	75	-	-	-	45
165-64251	40	16	2	71	75	8	52	13	45
165-64253	40	20	2	71	75	8	52	13	45
165-64254	40	25	2	71	75	8	52	13	45
165-64255	40	32	2	71	75	8	52	13	45

BUSSOLA PER PORTABARENI BORING BAR SLEEVE FOR TOOLHOLDER

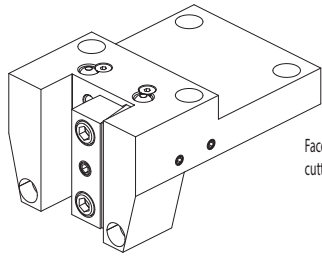


CODE N.	D	d	L	L1	L2	L3	A	D1
165-64241	40	16	74	88	9	51	14	48
165-64243	40	20	74	88	9	51	14	48
165-64244	40	25	74	88	9	51	14	48
165-64245	40	32	74	88	9	51	14	48
165-65017	50	25	84	98	9	61	14	59
165-65018	50	32	84	98	9	61	14	59
165-65019	50	40	84	98	9	61	14	59
165-66056	60	25	94	108	9	71	14	69
165-66057	60	32	94	108	9	71	14	69
165-66058	60	40	94	108	9	71	14	69
165-66059	60	50	94	108	9	71	14	69



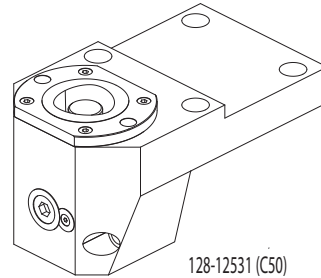
DOOSAN PUMA (BMT85)

600M/LM
700M/LM
800M/LM
VT900M/TM
VT1100M



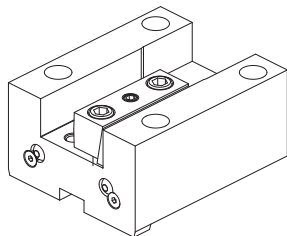
128-42513

Face and O.D.
cutting holder



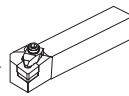
128-12531 (C50)
128-12520 (C63)

Face and O.D.
cutting holder
Polygonal

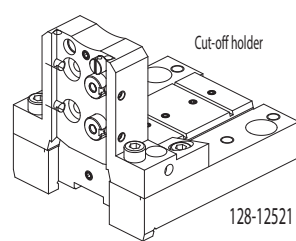


128-32509

Face and O.D.
cutting holder



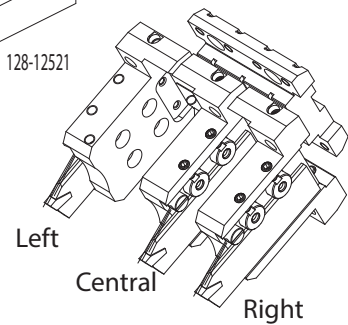
Qualified tool
32x32 mm



Cut-off holder

Cut-off tool
32 mm

128-12521



Left

Central

Right

ACCESSORIES

Boring bar sleeve D50

- 115-65053 (Ø12)
- 115-65013 (Ø16)
- 115-65014 (Ø20)
- 115-65015 (Ø25)
- 115-65016 (Ø32)

Boring bar sleeve D60

- 115-66017 (Ø20)
- 115-66018 (Ø25)
- 115-66019 (Ø32)
- 115-66020 (Ø40)

Boring bar sleeve D50

- 115-65017 (Ø40)
- Boring bar sleeve D60
- 115-66021 (Ø50)

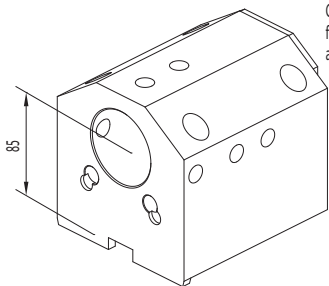
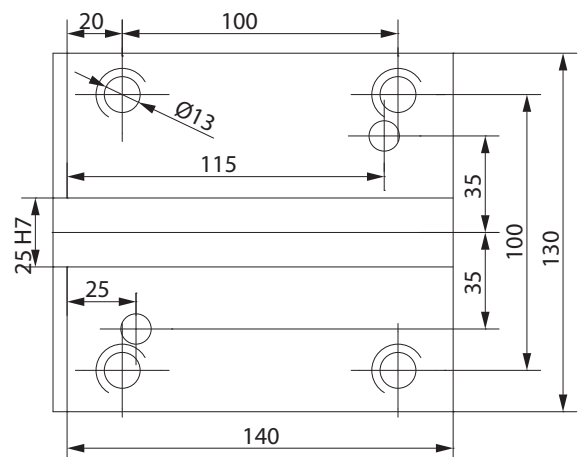
Boring bar sleeve D50

- 165-65017 (Ø25)
- 165-65018 (Ø32)
- 165-65019 (Ø40)

Boring bar sleeve D60

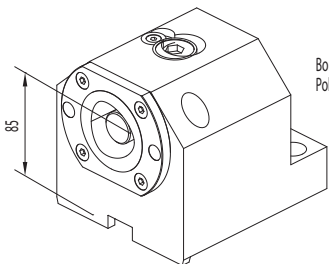
- 165-66056 (Ø25)
- 165-66057 (Ø32)
- 165-66058 (Ø40)
- 165-66059 (Ø50)

CONNECTION



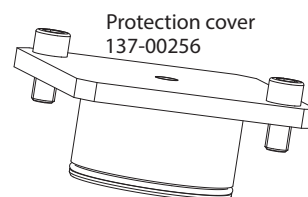
Combi toolholder
for boring bar
and insert drill

128-22528 Ø50 mm
128-22529 Ø60 mm



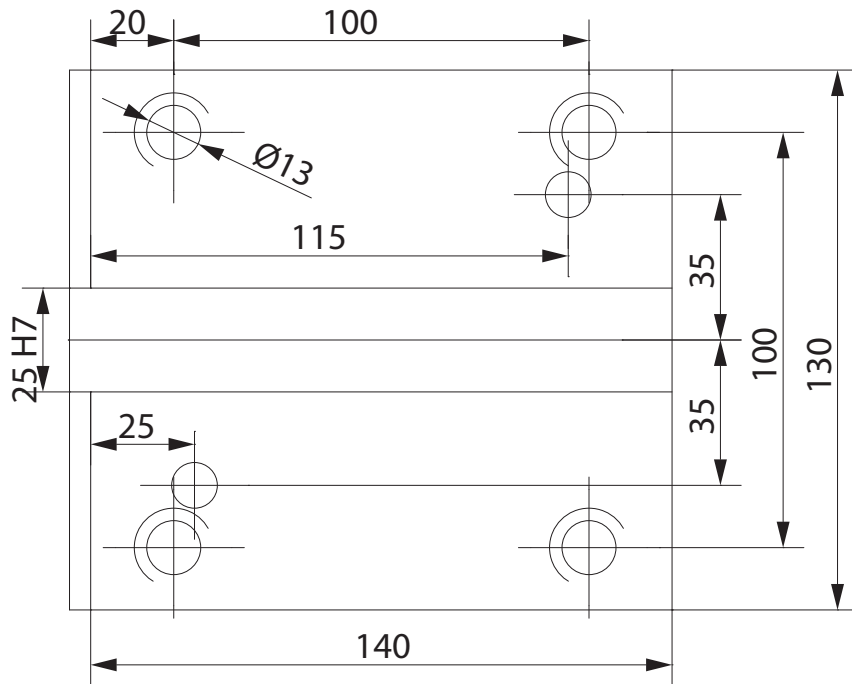
Boring bar holder
Polygonal

128-12530 (C50)
128-12519 (C63)

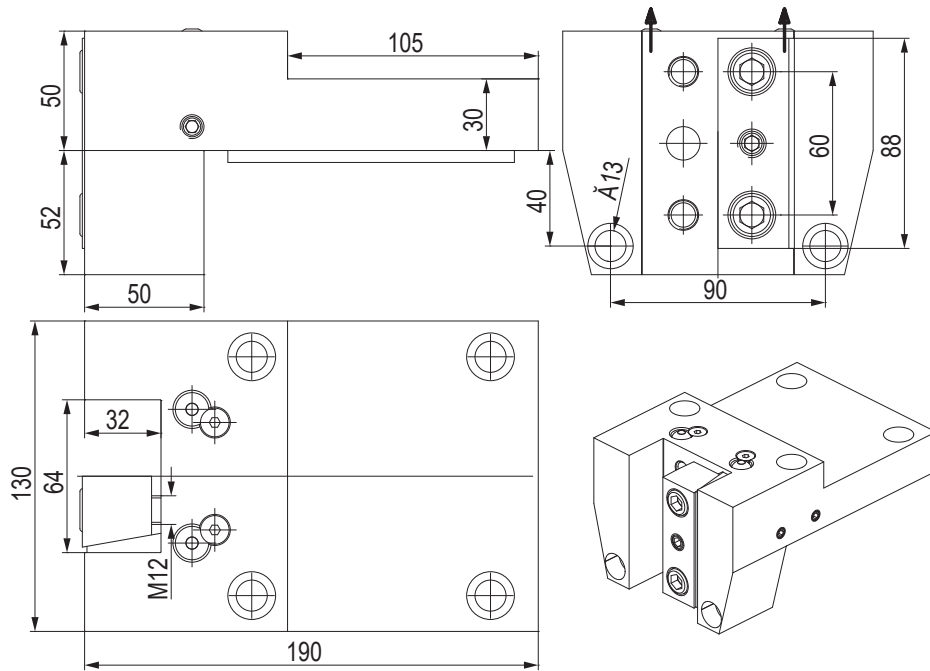


Protection cover
137-00256

CONNECTION

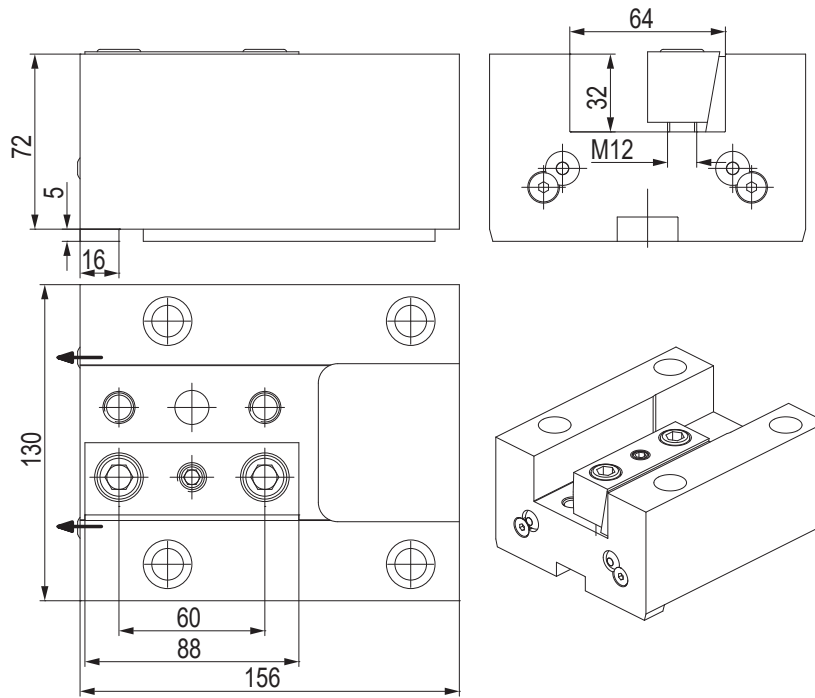


PORTAUTENSILE RADIALE - RADIAL TOOLHOLDERS



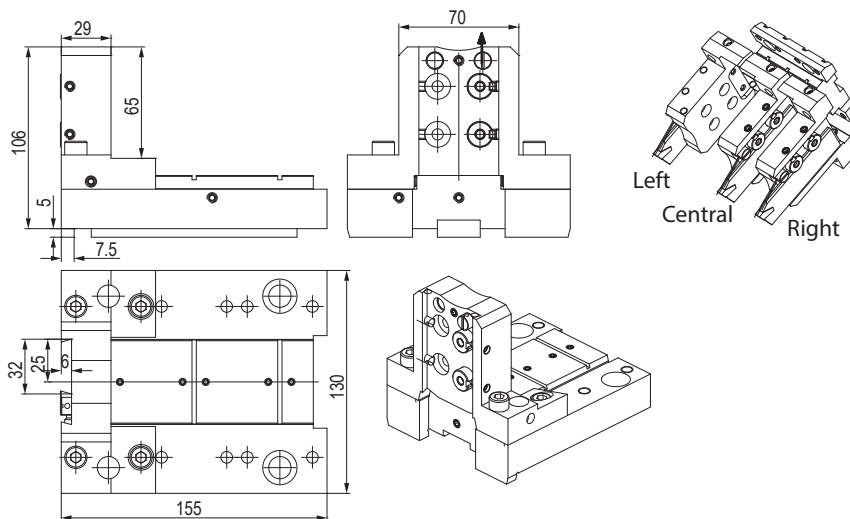
CODE N.	CLAMPING PLATE	KEY	SCREW FOR KEY	COOLANT BALL	SCREW FOR BALL
128-42513	832-007170	814-203350	811-101027	833-001470	811-108018

PORTAUTENSILE ASSIALE - AXIAL TOOLHOLDERS



CODE N.	CLAMPING PLATE	KEY	SCREW FOR KEY	COOLANT BALL	SCREW FOR BALL
128-32509	832-007170	814-203350	811-101027	833-001470	811-108018

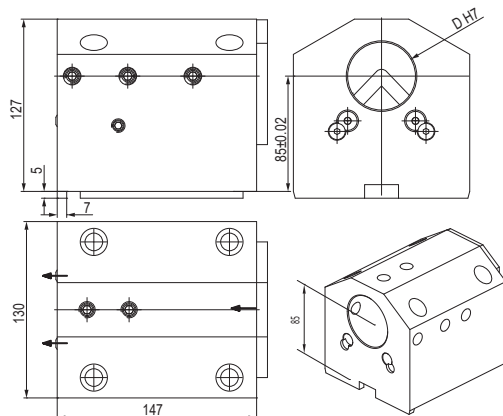
PORTALAMA - CUT-OFF HOLDERS

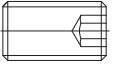
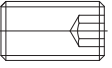
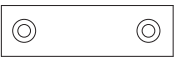
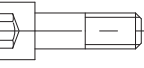


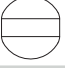
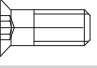

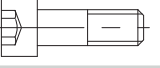
CODE N.	KEY	SCREW FOR KEY	COOLANT NOZZLE	O RING FOR COOLANT NOZZLE	O RING FOR BODY
128-12521	814-203350	811-101026	833-001490	823-101058	823-101061

CODE N.	SHIM PLATE	SCREW FOR PLATE	CLAMPING PIN	SPRING	CLAMPING SCREW	SCREW
128-12521	832-014449	811-108037	832-014450	824-300012	811-101029	811-104013

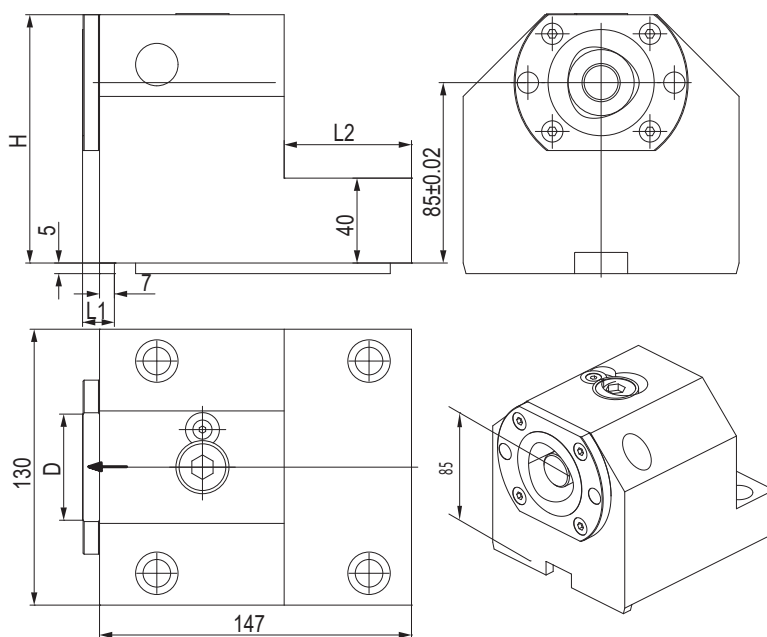
PORTAUTENSILE COMBINATO PER BARENI E PUNTE A INSERTI COMBI TOOLHOLDER FOR BORING BAR AND INSERTDRILL


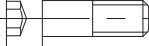
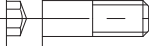


CODE N.	D	CLAMPING SCREW1 (M12X35)	CLAMPING SCREW2 (D50-M12X16) - (D60-M12X12)	KEY	SCREW FOR KEY
					
128-22528	50	811-102047	811-102043	814-203350	811-101027
128-22529	60	811-102047	811-102064	814-203350	811-101027

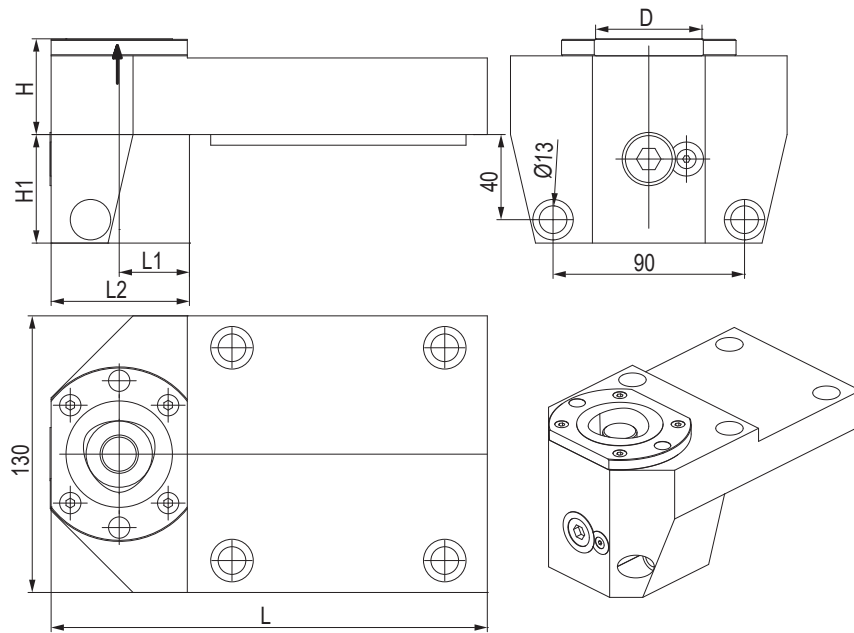
CODE N.	COOLANT BALL	SCREW FOR BALL	COVER	SCREW FOR COVER
				
128-22528	833-001470	811-108018	832-003389	811-101016
128-22529	833-001470	811-108018	832-003389	811-101016

PORTAUTENSILE CON USCITA POLIGONALE POLIGONAL TOOLHOLDERS

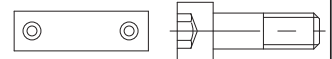


CODE N.	CAPTO	D	H	L1	L2	CLAMPING UNIT	KEY	SCREW FOR KEY
								
128-12530	C50	50	117	15	60	CXC50-10	814-203350	811-101027
128-12519	C63	63	127	16	39	CXC63-10	814-203350	811-101027

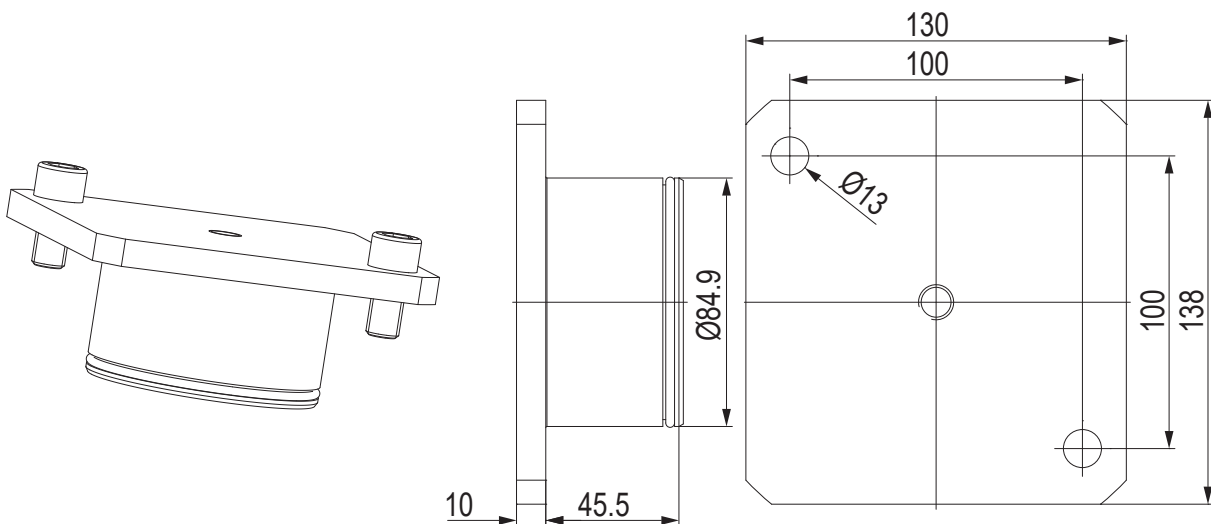
PORTAUTENSILE CON USCITA POLIGONALE POLIGONAL TOOLHOLDERS



CODE N.	CAPTO	D	H	H1	L	L1	L2	CLAMPING UNIT	KEY	SCREW FOR KEY
128-12531	C50	50	45	51	205	33	65	CXC50-10	814-203350	811-101027
128-12520	C63	63	50	67	225	43	85	CXC63-10	814-203350	811-101027



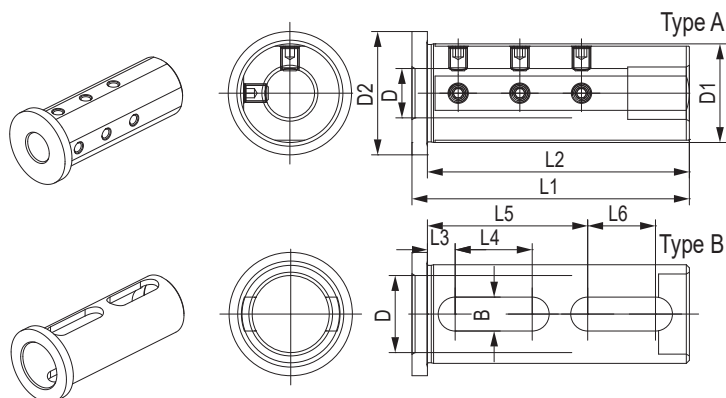
TAPPO DI PROTEZIONE - PROTECTION COVER



CODE N.	O RING
137-00256	823-101116



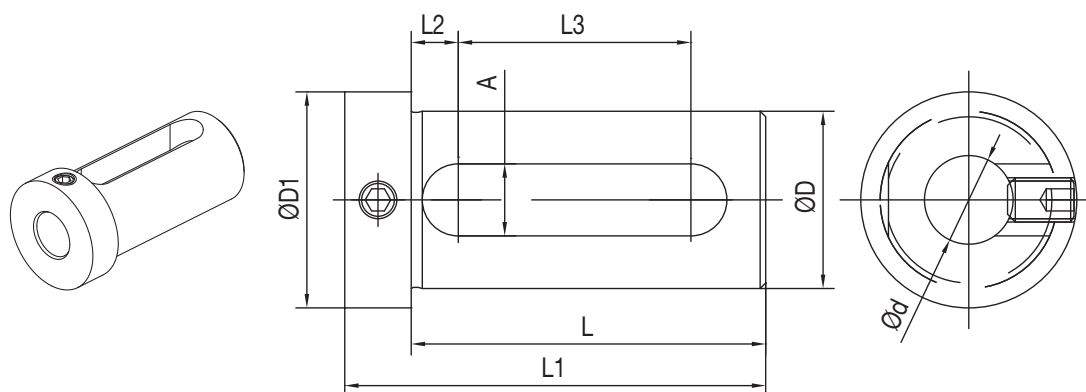
BUSSOLA PER PORTABARENI BORING BAR SLEEVE FOR TOOLHOLDER



CODE N.	D	D1	D2	L1	L2	L3	L4	L5	L6	B	TYPE	SCREW
115-65053	12	50	60	130	125	-	-	-	-	-	A	811-102078
115-65013	16	50	60	130	125	-	-	-	-	-	A	811-102029
115-65014	20	50	60	130	125	-	-	-	-	-	A	811-102062
115-65015	25	50	60	130	125	-	-	-	-	-	A	811-102028
115-65016	32	50	60	130	125	-	-	-	-	-	A	811-102026
115-65017	40	50	60	130	125	10	45	75	37	13	B	-
115-66017	20	60	70	140	135	-	-	-	-	-	A	811-102038
115-66018	25	60	70	140	135	-	-	-	-	-	A	811-102037
115-66019	32	60	70	140	135	-	-	-	-	-	A	811-102036
115-66020	40	60	70	140	135	-	-	-	-	-	A	811-102035
115-66021	50	60	70	140	135	15	40	83	28	13	B	-



BUSSOLA PER PORTABARENI BORING BAR SLEEVE FOR TOOLHOLDER



CODE N.	D	d	L	L1	L2	L3	A	D1
165-65017	50	25	84	98	9	61	14	59
165-65018	50	32	84	98	9	61	14	59
165-65019	50	40	84	98	9	61	14	59
165-66056	60	25	94	108	9	71	14	69
165-66057	60	32	94	108	9	71	14	69
165-66058	60	40	94	108	9	71	14	69
165-66059	60	50	94	108	9	71	14	69

KINTEK®



NEW PRODUCTION PLANT
A.M.T S.R.L. - CASELLE T.SE - TORINO - ITALY



HEAD OFFICE
KINTEK S.R.L. - MAPPANO - TORINO - ITALY



MAIN PRODUCTION PLANT
KINTEK TOOLING KFT - BEKESCSABA - HUNGARY

KINTEK s.r.l.

Via Goretta 88/G - 10079 MAPPANO - (TO) - ITALY
Tel. +39 011 99 68 065 - Fax +39 011 99 65 662
e-mail: info@kintek.it
<http://www.kintek.it>