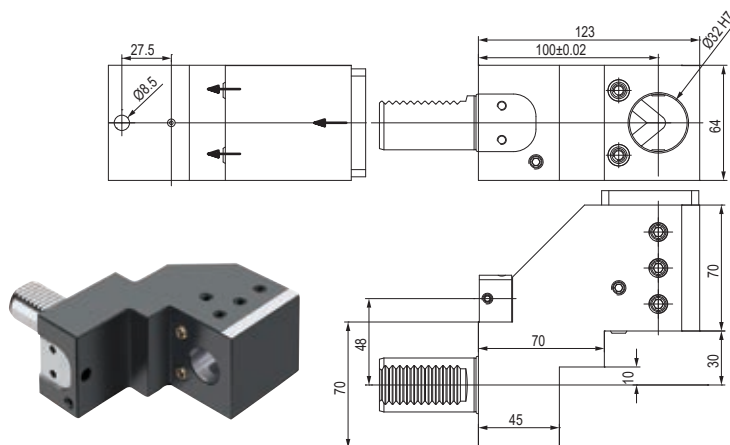


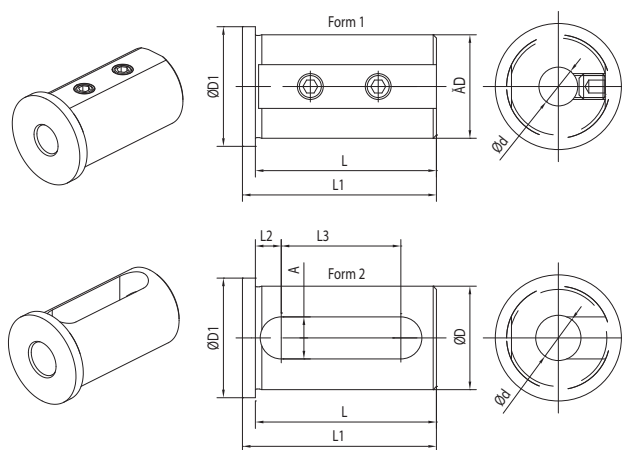
PORTAUTENSILE PER BARENI - TOOLHOLDER FOR BORING BAR



CODE N.	CLAMPING SCREW	COVER FOR INTERNAL COOLANT	SCREW FOR COVER	COOLANT NOZZLE
115-53014	811-102037	832-003304	811-101016	833-001110

CODE N.	STOP NUT	INSERT FOR STOP NUT	SCREW FOR STOP NUT	SCREW FOR STOP NUT (M6x6)	SCREW FOR STOP NUT (M6x8)	O RING FOR VDI30
115-53014	832-003301	832-003302	811-101021	811-102017	811-102018	823-101017

BUSSOLA PER PORTABARENI BORING BAR SLEEVE FOR TOOLHOLDER



CODE N.	D	d	FORM	L	L1	L2	L3	A	D1
165-62551	25	8	1	46	50	-	-	-	30
165-62552	25	10	1	46	50	-	-	-	30
165-62553	25	12	1	46	50	-	-	-	30
165-62555	25	16	2	46	50	8	27	13	30
165-62557	25	20	2	46	50	8	27	13	30
165-63352	32	8	1	56	60	-	-	-	37
165-63353	32	10	1	56	60	-	-	-	37
165-63354	32	12	1	56	60	-	-	-	37
165-63356	32	16	2	56	60	8	37	13	37
165-63358	32	20	2	56	60	8	37	13	37
165-63359	32	25	2	56	60	8	37	13	37