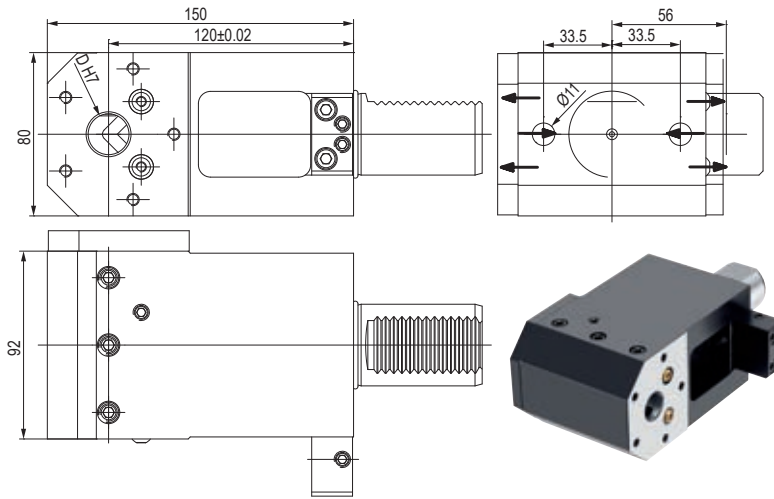


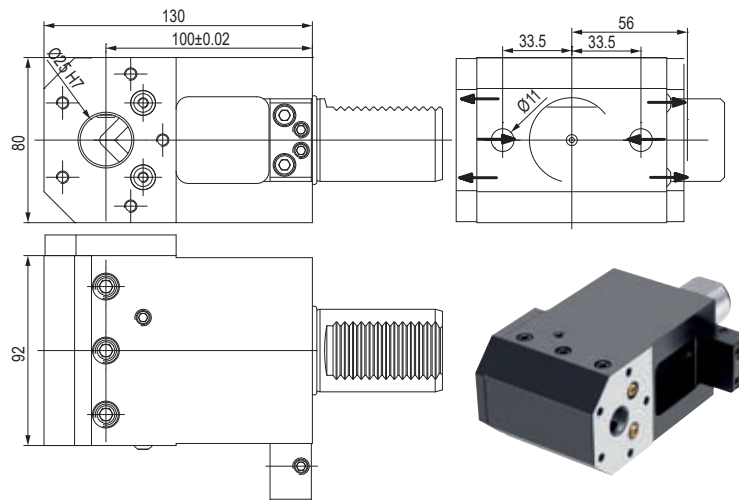
PORTAUTENSILE PER BARENI - TOOLHOLDER FOR BORING BAR



CODE N.	D	CLAMPING SCREW1 (M10X25)	CLAMPING SCREW2 (M8X20)	COVER FOR INTERNAL COOLANT	SCREW FOR COVER	COOLANT NOZZLE
115-54076	16	811-102039	811-102030	832-003236	811-101027	833-001080
115-54077	20	811-102039	811-102030	832-003236	811-101027	833-001080

CODE N.	STOP NUT	INSERT FOR STOP NUT	SCREW FOR STOP NUT	SCREW FOR STOP NUT	O RING FOR VDI40
115-54076	832-003237	832-003238	811-101032	811-102027	823-101036
115-54077	832-003237	832-003238	811-101032	811-102027	823-101036

PORTAUTENSILE PER BARENI - TOOLHOLDER FOR BORING BAR



CODE N.	CLAMPING SCREW1 (M12X25)	CLAMPING SCREW2 (M10X25)	COVER FOR INTERNAL COOLANT	SCREW FOR COVER	COOLANT NOZZLE
115-54130	811-102045	811-102039	832-003303	811-101027	833-001080

CODE N.	STOP NUT	INSERT FOR STOP NUT	SCREW FOR STOP NUT	SCREW FOR STOP NUT	O RING FOR VDI40
115-54130	832-003237	832-003238	811-101032	811-102027	823-101036