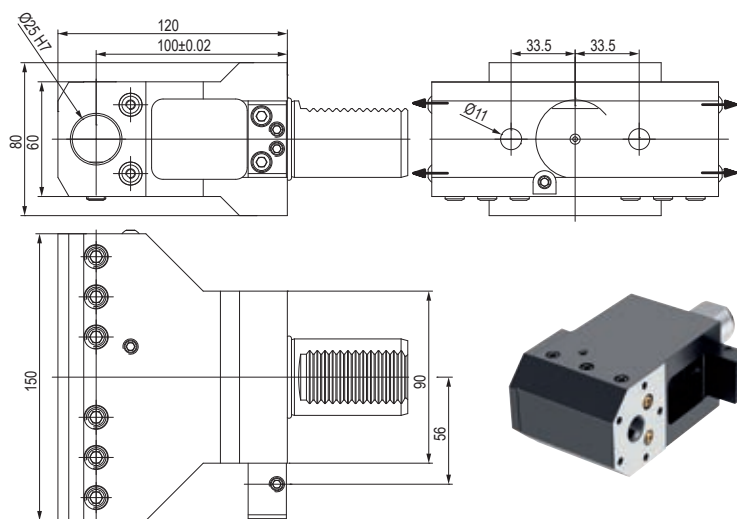


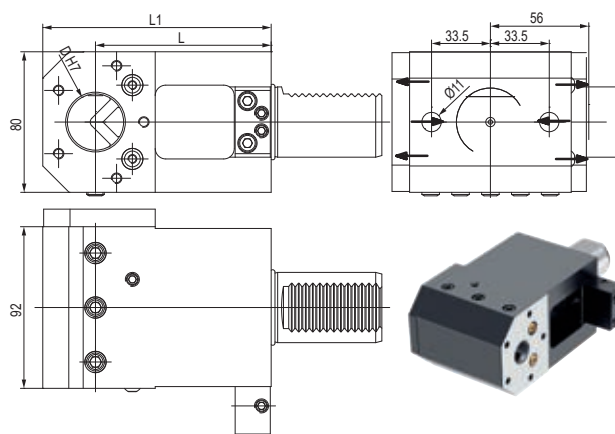
PORTAUTENSILE PER BARENI - TOOLHOLDER FOR BORING BAR



| CODE N. | CLAMPING SCREW1 (M12X16) | CLAMPING SCREW2 (M10X20) | COOLANT NOZZLE |
|-----------|-----------------------------|-----------------------------|-------------------|
| 115-54133 | 811-102043 | 811-102038 | 833-001080 |

| CODE N. | STOP NUT | INSERT FOR STOP NUT | SCREW FOR STOP NUT | SCREW FOR STOP NUT | O RING FOR VDI40 |
|-----------|------------|------------------------|-----------------------|-----------------------|---------------------|
| 115-54133 | 832-003237 | 832-003238 | 811-101032 | 811-102027 | 823-101036 |

PORTAUTENSILE PER BARENI - TOOLHOLDER FOR BORING BAR



| CODE N. | D | L | L1 | CLAMPING SCREW1 (M12) | CLAMPING SCREW2 (M10X25) | COVER FOR INTERNAL COOLANT | SCREW FOR COVER |
|-----------|----|-----|-----|--------------------------|-----------------------------|-------------------------------|-----------------|
| 115-54131 | 32 | 100 | 130 | 811-102044 | 811-102039 | 832-003303 | 811-101027 |
| 115-54078 | 25 | 120 | 150 | 811-102045 | 811-102039 | 832-003236 | 811-101027 |
| 115-54079 | 32 | 120 | 150 | 811-102044 | 811-102039 | 832-003236 | 811-101027 |

| CODE N. | STOP NUT | INSERT FOR STOP NUT | SCREW FOR STOP NUT | SCREW FOR STOP NUT | O RING FOR VDI40 | COOLANT NOZZLE |
|-----------|------------|------------------------|-----------------------|-----------------------|---------------------|-------------------|
| 115-54131 | 832-003237 | 832-003238 | 811-101032 | 811-102027 | 823-101036 | 833-001080 |
| 115-54078 | 832-003237 | 832-003238 | 811-101032 | 811-102027 | 823-101036 | 833-001080 |
| 115-54079 | 832-003237 | 832-003238 | 811-101032 | 811-102027 | 823-101036 | 833-001080 |