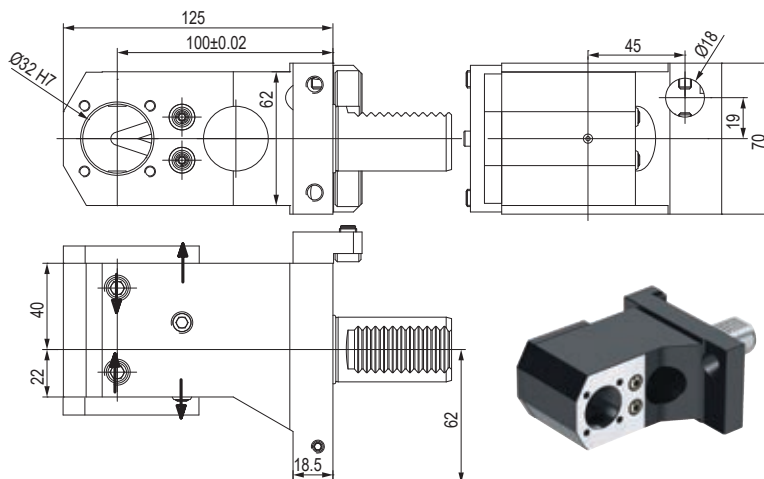


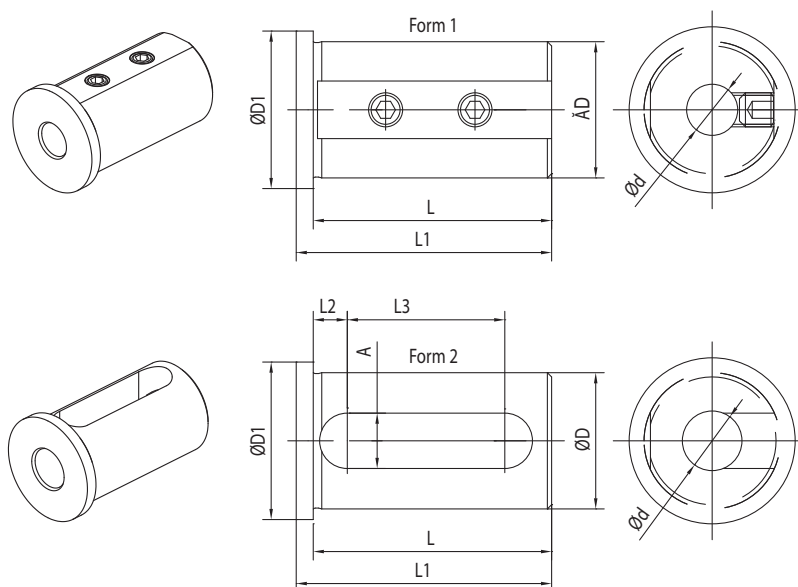
PORTAUTENSILE COMBINATO PER BARENI E PUNTE A INSERTI COMBI TOOLHOLDER FOR BORING BAR AND INSERTDRILL



CODE N.	CLAMPING SCREW	COOLANT NOZZLE	STOP PLATE	SCREW FOR STOP PLATE	STOP SCREW
115-230460	811-102043	833-001110	832-018380	811-101038	811-102020

CODE N.	COVER	SCREW FOR COVER	O RING FOR VDI30
115-230460	832-003212	811-101016	823-101017

BUSSOLA PER PORTABARENI BORING BAR SLEEVE FOR TOOLHOLDER



CODE N.	D	d	FORM	L	L1	L2	L3	A	D1
165-63352	32	8	1	56	60	-	-	-	37
165-63353	32	10	1	56	60	-	-	-	37
165-63354	32	12	1	56	60	-	-	-	37
165-63356	32	16	2	56	60	8	37	13	37
165-63358	32	20	2	56	60	8	37	13	37
165-63359	32	25	2	56	60	8	37	13	37