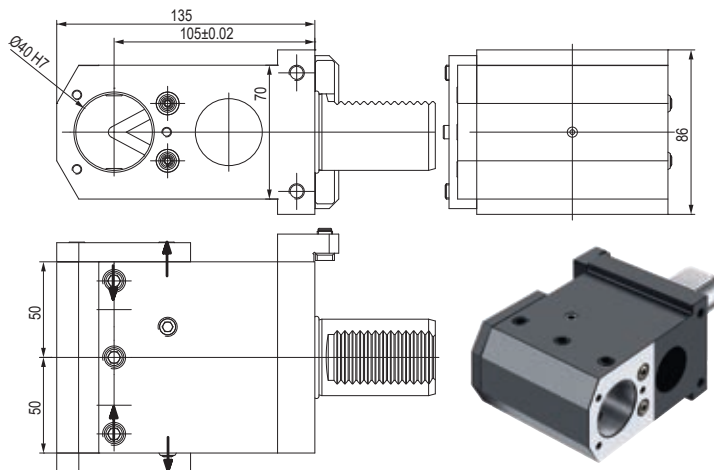


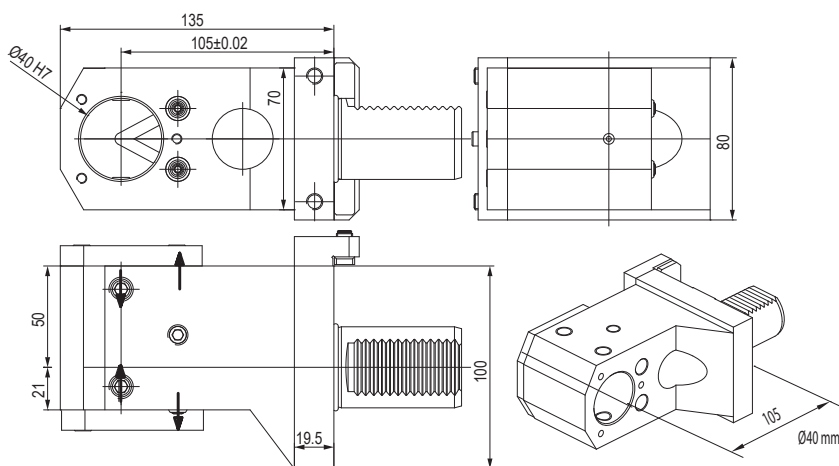
PORTAUTENSILE COMBINATO PER BARENI E PUNTE A INSERTI COMBI TOOLHOLDER FOR BORING BAR AND INSERTDRILL



CODE N.	CLAMPING SCREW	COOLANT NOZZLE	STOP PLATE	SCREW FOR STOP PLATE
115-240810	811-102043	833-001110	832-020730	811-101039

CODE N.	COVER	SCREW FOR COVER	O RING FOR VDI40
115-240810	832-003104	811-101017	823-101036

PORTAUTENSILE COMBINATO PER BARENI E PUNTE A INSERTI COMBI TOOLHOLDER FOR BORING BAR AND INSERTDRILL



CODE N.	CLAMPING SCREW	COOLANT NOZZLE	STOP PLATE	SCREW FOR STOP PLATE
115-240700	811-102043	833-001110	832-020730	811-101039

CODE N.	COVER	SCREW FOR COVER	O RING FOR VDI40
115-240700	832-003104	811-101017	823-101036