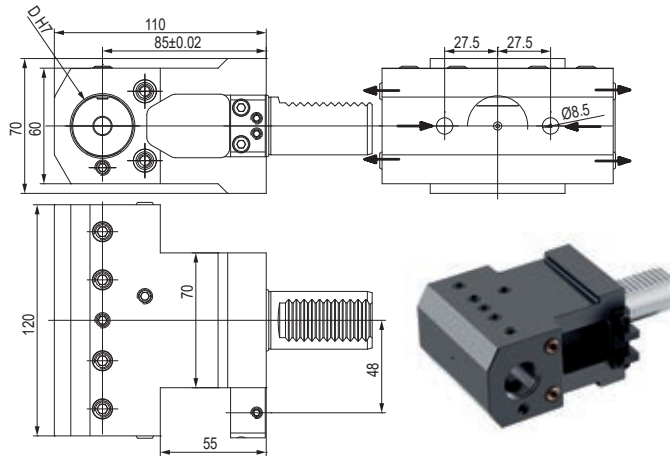


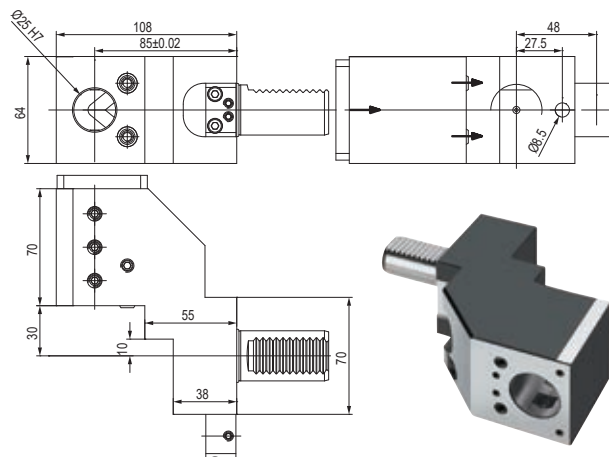
## PORTAUTENSILE PER BARENI - TOOLHOLDER FOR BORING BAR



CODE N.	D	CLAMPING SCREW1	CLAMPING SCREW2	COOLANT PLUG	SEGER RING FOR COOLANT PLUG	O RING FOR COOLANT PLUG	COOLANT NOZZLE
115-53029	25	811-102029	811-104021	823-301270	822-10209	823-101031	833-001110
115-53030	32	811-102037	811-104021	823-301260	822-10208	823-101017	833-001110

CODE N.	STOP NUT	INSERT FOR STOP NUT	SCREW FOR STOP NUT	SCREW FOR STOP NUT (M6x6)	SCREW FOR STOP NUT (M6x8)	O RING FOR VDI30
115-53029	832-003301	832-003302	811-101021	811-102017	811-102018	823-101017
115-53030	832-003301	832-003302	811-101021	811-102017	811-102018	823-101017

## PORTAUTENSILE PER BARENI - TOOLHOLDER FOR BORING BAR



CODE N.	CLAMPING SCREW	COVER FOR INTERNAL COOLANT	SCREW FOR COVER	COOLANT NOZZLE
115-53011	811-102030	832-003304	811-101016	833-001110

CODE N.	STOP NUT	INSERT FOR STOP NUT	SCREW FOR STOP NUT	SCREW FOR STOP NUT (M6x6)	SCREW FOR STOP NUT (M6x8)	O RING FOR VDI30
115-53011	832-003301	832-003302	811-101021	811-102017	811-102018	823-101017